

# Polyfit

## HYDRAULIC HOSE FITTINGS



2024

+971 6 779 1117

info@polyfit.ae | sales@polyfit.ae | www.polyfit.ae





## ABOUT US

- ▶ Polyfit was established in 1977 and is located in Chennai, India.
- ▶ Polyfit state of the art manufacturing facilities are accredited with ISO 9001-2015 and IATF 16949. Our adherence to these programs result in a competitive advantage, evident in the high quality of Polyfit products.

## STATE OF THE ART FACILITIES INCLUDE

### MACHINE SHOP

- ▶ CNC Turning Centers
- ▶ CNC Sliding Head Automate Machine 26 mm
- ▶ VMC Machine
- ▶ Multi Spindle Auto
- ▶ Single Spindle Auto
- ▶ Thread Rolling Machine
- ▶ Centreless Grinding Machine

### HOSE ASSEMBLIES

- ▶ Hose Cutting Machine
- ▶ Hose Skiving Machine
- ▶ Nut Crimping Machine
- ▶ Hose Crimping Machine
- ▶ High Pressure Test Rig

### TUBES & PIPE BENDING

- ▶ Auto Pipe Cutting Machine
- ▶ Tubes & Pipes End Forming Machine
- ▶ CNC 6 Axis Tube & Pipe Bending Machine  
from 6 mm to 120 mm
- ▶ 3D 5 Axis CNC Wire Bending Machine
- ▶ Induction Brazing Machine
- ▶ Flushing Machine

### SPECIALIZED FABRICATION

- ▶ Laser Cutting Machine
- ▶ Robotic Welding Machine
- ▶ CNC Press Brake Machine
- ▶ Plasma Cutting Machine - Cap. up to 16 mm thickness
- ▶ Flame Cutting Machine - Cap. up to 120 mm thickness
- ▶ Mechanical & Hydraulic Press up to 250 tons
- ▶ Shearing Machine (12 \* 4 mtr)

## CNC MACHINING AND BENDING FACILITIES

The CNC Machining Shop consists of CNC Turning Centers and VMC.

CNC 6 Axis 3 Stage Bending Machines capacity to bend pipes from 6 mm up to 120 mm.



CNC MACHINE



CNC SLIDING HEAD MACHINE



VMC MACHINE



TUBE & PIPE BENDING MACHINE



6 AXIS CNC TUBE BENDING MACHINE



3 AXIS CNC WIRE BENDING MACHINE

## HOSE ASSEMBLIES

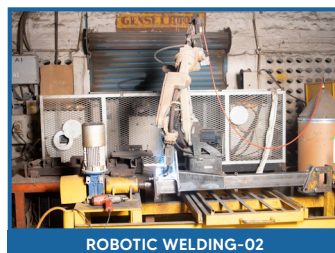


Polyfit is capable of manufacturing hose assemblies up to 250 mm in diameter. Hydrostatic proof and burst pressure testing can also be performed as per SAE standards or to suit customer requirements.

## FABRICATION DIVISION



CNC PLASMA / FLAME CUTTING MACHINE



ROBOTIC WELDING-02



CNC PRESS BRAKE



LASER CUTTING MACHINE



## DESIGN AND DEVELOPMENT

The Design & Development Center is equipped with the latest CAD software for undertaking complex designs, preparing engineering drawings, and using 3D modelling techniques.



## QUALITY ASSURANCE

As an ISO 9001:2015 & IATF 16949 Certified Organization, Polyfit pays strict attention to quality throughout all production stages, ensuring that the best and flawless products are offered to our clients. We are equipped with FARO 6 Axis Portable Arm type and Bridge type CMM. Our diligent quality inspectors regularly conduct quality audit checks in our well equipped in-house facilities, in order to ensure flawless production.

CERTIFICATE



# CERTIFICATE

The Certification Body  
of TÜV SÜD South Asia Private Limited  
certifies that

**M/s. Polyfit Fabricators Pvt Ltd**  
No.3-B (NP), Sidco Industrial Estate, Ambattur,  
Chennai – 600 098, Tamil Nadu, India

has implemented Quality Management System  
in accordance with **ISO 9001:2015**  
for the scope of

**Manufacture of High Pressure Hose End fittings, Hose Assemblies,  
Turned Components, Tube & Pipe Bending Assemblies with Brazing  
and Fabricated Metal Products**

The certificate is valid from **2024-07-03** until **2027-07-02**  
Subject to successful completion of annual periodic audits  
The present status of this certificate can be obtained through TÜV SÜD website by scanning below QR code and by  
entering the certificate number (without spaces) on web page. Further clarifications regarding the status & scope of  
this certificate may be obtained by consulting the certification body at [info.in@tvsud.com](mailto:info.in@tvsud.com)

Certificate Registration No. **99 100 20064**  
Date of Initial certification: **2018-07-23**  
Issue Date: **2024-07-23 Rev. 00**



**Rahul Kale**  
Head of Certification Body  
of TÜV SÜD South Asia Private Limited,  
Mumbai  
Member of TÜV SÜD Group





CERTIFICADO

CERTIFICATE



# CERTIFICATE

Certificate Registration No.: **12 111 50867 TMS** / IATF Certificate No.: **0528061**  
IATF USI: **YMA4L9**

The Certification Body  
of TÜV SÜD Management Service GmbH  
certifies that the organization

**M/s. Polyfit Fabricators Pvt Ltd**  
No.3-B (NP), Sidco Industrial Estate, Ambattur  
Chennai - 600098, Tamil Nadu  
India

for the scope

**Manufacture of High Pressure Hose End fittings,  
Hose Assemblies, Turned Components,  
Tube & Pipe Bending Assemblies with Brazing  
(without Product Design as per Chapter 8.3)**

has established and applies a Quality Management System.  
An audit was performed and has furnished proof  
that the requirements according to

**IATF 16949**  
**First Edition 2016-10-01**  
are fulfilled.

Issue date: **2024-07-03**  
Expiry date: **2027-07-02**



**Fred Wenke**  
Head of Certification Body  
Munich, 2024-07-03

Page 1 of 1

TÜV SÜD Management Service GmbH • Zertifizierungsstelle • Ridlerstrasse 57 • 80339 München • Germany  
[www.tvsud.com/de/certificate-validity-check](http://www.tvsud.com/de/certificate-validity-check)

CERTIFICADO

CERTIFICATE





CERTIFICATE

04

[info@polyfit.ae](mailto:info@polyfit.ae) | [sales@polyfit.ae](mailto:sales@polyfit.ae) | [www.polyfit.ae](http://www.polyfit.ae)

+971 6 779 1117

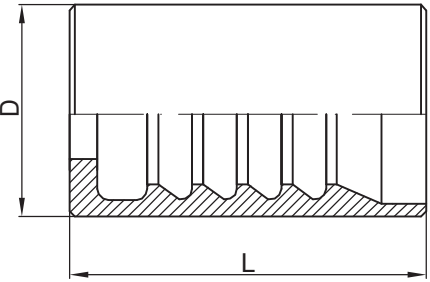


## INDEX

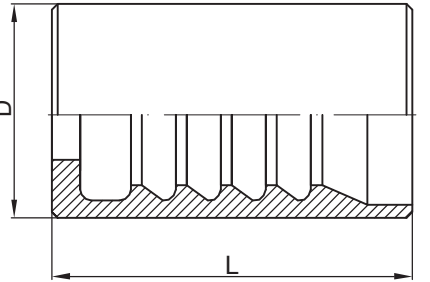
PRODUCT DESCRIPTION	PAGE NO.	PRODUCT DESCRIPTION	PAGE NO.
<b>FERRULE</b>		<b>ORFS FITTING</b>	
Ferrule for SAE 100R1AT / EN 853 1SN Hose	6	ORFS Female Flat Seat	20
Ferrule for SAE 100R2AT / EN 853 2SN Hose	6	90° ORFS Female Flat Seat	20
Ferrule for 4SP/04-10 Hose	6	45° ORFS Female Flat Seat	21
Ferrule for 4SH/12-32, R12/20-24 Hose	7	ORFS Male O-Ring Seal	21
Ferrule for SAE 100R7 Hose	7		
Ferrule for SAE 100R8 Hose	7	<b>SAE FLANGE - 3000 PSI</b>	
Ferrule for Teflon Hose	7	SAE Flange 3000 Psi	22
Ferrule for Interlock - R13	8	45° SAE Flange 3000 Psi	22
		90° SAE Flange 3000 Psi	23
		SAE Split Flange Clamps 3000 Psi	23
<b>NPT</b>			
NPT Male	8	<b>SAE FLANGE - 6000 PSI</b>	
NPT Swivel Male	8	SAE Flange 6000 Psi	24
NPSM Female 60° Cone	9	45° SAE Flange 6000 Psi	24
		90° SAE Flange 6000 Psi	25
<b>BSP</b>		SAE Split Flange Clamps 6000 Psi	25
BSP Male O-Ring Seal	9		
BSP Female 60° Cone	10	<b>SAE FLANGE - 9000 PSI</b>	
45° BSP Female 60° Cone	10	SAE Flange 9000 Psi	26
90° BSP Female 60° Cone	11	45° SAE Flange 9000 Psi	26
		90° SAE Flange 9000 Psi	26
<b>JIC</b>			
JIC Female 74° Cone Seat	12	<b>43 SERIES INDEX</b>	27
90° JIC Female 74° Cone Seat	13	One Piece JIC 37° Female Swivel Straight Fittings	28
45° JIC Female 74° Cone Seat	14	One Piece JIC 37° Female Swivel 45° Fittings	29
JIC Male 74° Cone Seat	15	One Piece JIC 37° Female Swivel 90° Fittings	30
		One Piece JIC 37° Male Straight Fittings	31
<b>METRIC HD FITTING</b>		One Piece NPT-NPSM Fittings	32-35
Metric HD Fitting ST	16	One Piece BSP Fittings	36-39
90° Metric Female 24° Cone	16	Crimping Chart	40
45° Metric Female 24° Cone	17		
Metric Male 24° Cone Seat	17	Macdonald Type Quick Action Coupling	41-42
		Boss Steam Hose Fittings	43
<b>METRIC LD FITTING</b>		Industrial & Composite Hose Fittings	44
Metric Female 24° Cone	18	Whip Check	45
90° Metric Female 24° Cone	18	Water Blast Quick COupling SS - 15k	46
45° Metric Female 24° Cone	19	Air Breathing QRC	47
Metric Male 24° Cone Seat	19	Hose Division Products	48-51

## FERRULE

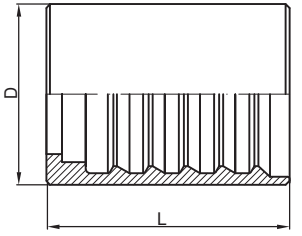
### Ferrule for SAE 100R1AT / EN 853 1SN Hose

	PART NO.	HOSE BORE		DIMENSIONS	
		DN	DASH	D	L
	PF153-03	5	3	17	27
	PF153-04	6	4	20	30
	PF153-05	8	5	21	31
	PF153-06	10	6	23	32
	PF153-08	12	8	27	34
	PF153-10	16	10	30	37
	PF153-12	20	12	34	43
	PF153-16	25	16	42	50
	PF153-20	32	20	52	59
	PF153-24	38	24	58	74
	PF153-32	51	32	72	78

### Ferrule for SAE 100R2AT / EN 853 2SN Hose

	PART NO.	HOSE BORE		DIMENSIONS	
		DN	DASH	D	L
	PF154-03	5	3	20	27
	PF154-04	6	4	22	30
	PF154-05	8	5	23	31
	PF154-06	10	6	25	32
	PF154-08	12	8	28	34
	PF154-10	16	10	31	37
	PF154-12	20	12	35	43
	PF154-16	25	16	45	50
	PF154-20	32	20	55	59
	PF154-24	38	24	62	74
	PF154-32	51	32	75	78

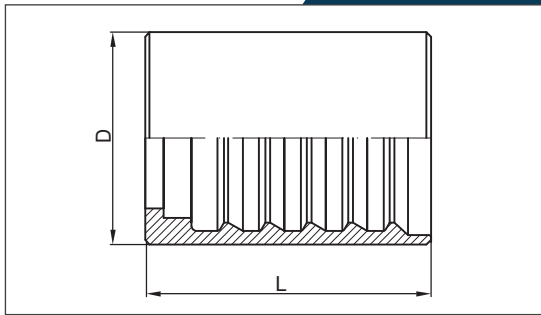
### Ferrule for 4SP/04-10 Hose

	PART NO.	HOSE BORE		DIMENSIONS	
		DN	DASH	D	L
	PF277-04	6	4	22	37
	PF277-06	10	6	25.5	39
	PF277-08	12	8	29	41
	PF277-10	16	10	32.5	43

\*The above technical is subject to change without notice due to continuous development and research.

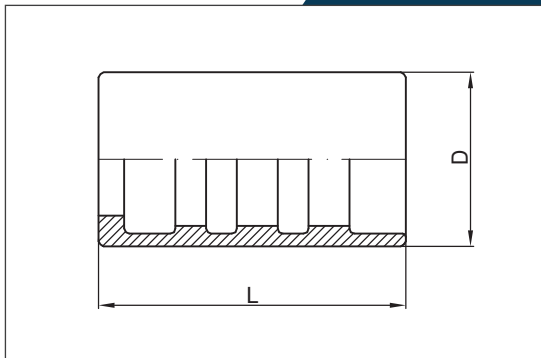


### Ferrule for 4SH/12-32, R12/20-24 Hose



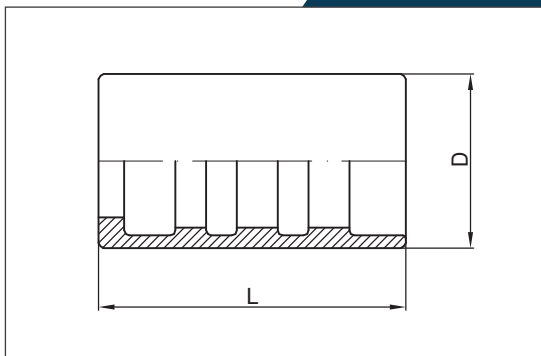
PART NO.	HOSE BORE		DIMENSIONS	
	DN	DASH	D	L
PF278-12	20	12	37	51
PF278-16	25	16	46	61
PF278-20	32	20	54	67
PF278-24	40	24	61	75
PF278-32	50	32	78	79

### Ferrule for SAE 100R7 Hose



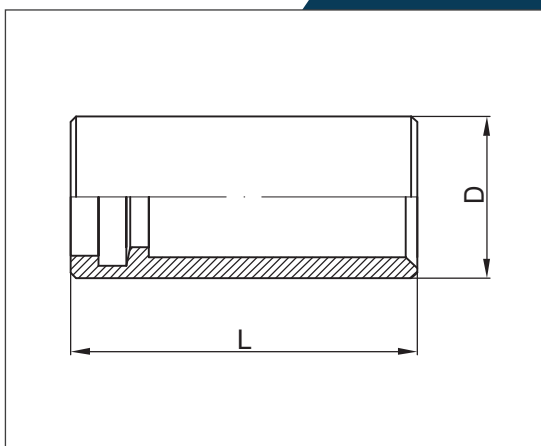
PART NO.	HOSE BORE		DIMENSIONS	
	DN	DASH	D	L
PF148-03	4	3	14	27
PF148-04	6	4	17	29
PF148-05	8	5	19	31
PF148-06	10	6	21	31
PF148-08	12	8	25	34
PF148-12	20	12	33	43

### Ferrule for SAE 100R8 Hose



PART NO.	HOSE BORE		DIMENSIONS	
	DN	DASH	D	L
PF149-03	4	3	14	27
PF149-04	6	4	17	29
PF149-05	8	5	19	31
PF149-06	10	6	21	31
PF149-08	12	8	25	34
PF149-12	20	12	33	43

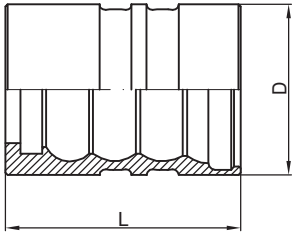
### Ferrule for Teflon Hose



PART NO.	HOSE BORE		DIMENSIONS	
	DN	DASH	D	L
PF179-03	4	3	11	21
PF179-04	5	4	12	25
PF179-05	6	5	14	30
PF179-07	10	7	20	32
PF179-10	12	10	24	34
PF179-12	16	12	28	36
PF179-14	20	14	34	42
PF179-18	25	18	41	51

\*The above technical is subject to change without notice due to continuous development and research.

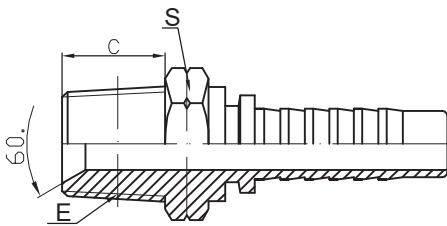
## Ferrule for Interlock - R13



PART NO.	HOSE BORE		DIMENSIONS	
	DN	DASH	D	L
PF178-16F	25	16	49	66
PF178-20F	31	20	60	88
PF178-24F	38	24	66	102
PF178-32F	51	32	86	108

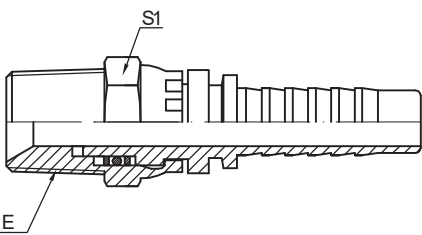
## NPT

### NPT Male



PART NO.	THREAD	HOSE BORE		DIMENSIONS	
	E	DN	DASH	C	S
PF1603-02-03	Z1/8"X27	5	3	10	12
PF1603-04-03	Z1/4"X18	5	3	15	17
PF1603-04-04	Z1/4"X18	6	4	15	17
PF1603-04-05	Z1/4"X18	8	5	15	17
PF1603-06-04	Z3/8"X18	6	4	16	19
PF1603-06-05	Z3/8"X18	8	5	16	19
PF1603-06-06	Z3/8"X18	10	6	16	19
PF1603-06-08	Z3/8"X18	12	8	16	19
PF1603-08-06	Z1/2"X14	10	6	19	22
PF1603-08-08	Z1/2"X14	12	8	19	22
PF1603-12-08	Z3/8"X14	12	8	19	27
PF1603-12-10	Z3/4"X14	16	10	19	27
PF1603-12-12	Z3/4"X14	20	12	19	27
PF1603-12-16	Z3/4"X14	25	16	19	32
PF1603-16-10	Z1"X11.5	16	10	25	36
PF1603-16-12	Z1"X11.5	20	12	25	36
PF1603-16-16	Z1"X11.5	25	16	25	36
PF1603-20-16	Z1.1/4"X11.5	25	16	26	46
PF1603-20-20	Z1.1/4"X11.5	32	20	26	46
PF1603-24-24	Z1.1/2"X11.5	40	24	27	50
PF1603-32-32	Z2"X11.5	50	32	27	65

### NPT Swivel Male

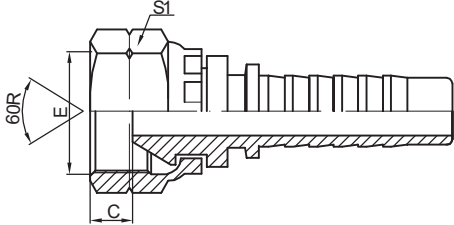


PART NO.	THREAD	HOSE BORE		DIMENSIONS
	E	DN	DASH	S1
PF1603SW-04-04	Z1/4"X18	6	4	19
PF1603SW-06-06	Z3/8"X18	10	6	22
PF1603SW-08-08	Z1/2"X14	12	8	27
PF1603SW-12-12	Z3/4"X14	20	12	32

\*The above technical is subject to change without notice due to continuous development and research.



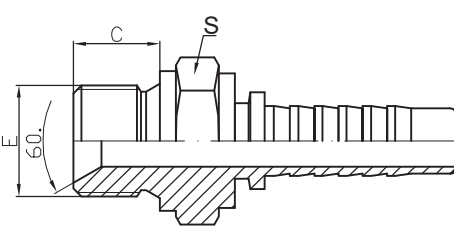
### NPSM Female 60° Cone



PART NO.	THREAD	HOSE BORE		DIMENSIONS	
	E	DN	DASH	C	S1
PF1604-04-04	1/4"X18	6	4	4	19
PF1604-06-04	3/8"X18	6	4	6	22
PF1604-06-05	3/8"X18	8	5	6	22
PF1604-06-06	3/8"X18	10	6	6	22
PF1604-08-08	1/2"X14	12	8	7	27
PF1604-12-10	3/4"X14	16	10	9	32
PF1604-12-12	3/4"X14	20	12	9	32
PF1604-16-12	1"X11.5	20	12	10	41
PF1604-16-16	1"X11.5	25	16	10	41
PF1604-20-20	1.1/4"X11.5	32	20	11	50
PF1604-24-20	1.1/2"X11.5	32	20	11	55
PF1604-24-24	1.1/2"X11.5	38	24	11	55
PF1604-32-32	2"X11.5	51	32	11	70

### BSP

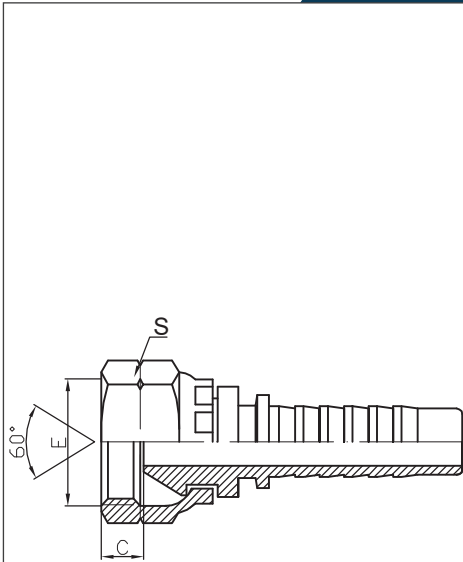
#### BSP Male O-Ring Seal



PART NO.	THREAD	HOSE BORE		DIMENSIONS	
	E	DN	DASH	C	S
PF1543-04-04	G1/4"X19	6	4	11	19
PF1543-04-06	G1/4"X19	10	6	11	19
PF1543-06-06	G3/8"X19	10	6	12	22
PF1543-08-04	G1/2"X14	6	4	14	27
PF1543-08-06	G1/2"X14	10	6	14	27
PF1543-08-08	G1/2"X14	12	8	14	27
PF1543-10-10	G5/8"X14	16	10	15	30
PF1543-12-10	G3/4"X14	16	10	15	32
PF1543-12-12	G3/4"X14	20	12	15	32
PF1543-12-16	G3/4"X14	25	16	15	32
PF1543-16-16	G1"X11	25	16	18	41
PF1543-20-20	G1.1/4"X11	32	20	20	50

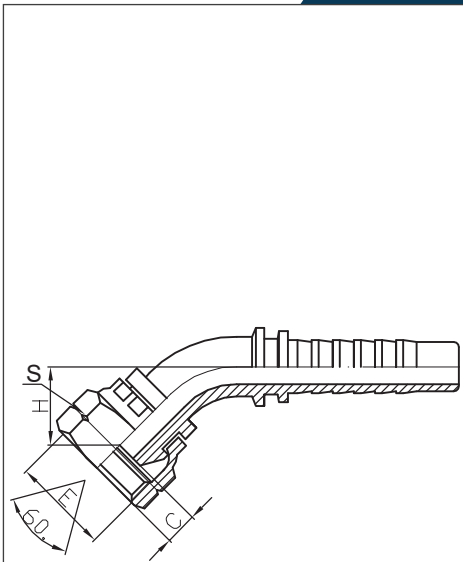
\*The above technical is subject to change without notice due to continuous development and research.

## BSP Female 60° Cone



PART NO.	THREAD	HOSE BORE		DIMENSIONS	
	E	DN	DASH	C	S
PF1540-02-03	G1/8"X28	5	3	5	14
PF1540-04-03	G1/4"X19	5	3	5	19
PF1540-04-04	G1/4"X19	6	4	5	19
PF1540-06-05	G3/8"X19	8	5	6	22
PF1540-06-06	G3/8"X19	10	6	6	22
PF1540-06-08	G3/8"X19	12	8	6	22
PF1540-08-06	G1/2"X14	10	6	7	27
PF1540-08-08	G1/2"X14	12	8	7	27
PF1540-10-10	G5/8"X14	16	10	9	30
PF1540-12-12	G3/4"X14	20	12	11	32
PF1540-16-12	G1"X11	20	12	12	41
PF1540-16-16	G1"X11	25	16	12	41
PF1540-20-16	G1.1/4"X11	25	16	11	50
PF1540-20-20	G1.1/4"X11	32	20	11	50
PF1540-24-20	G1.1/2"X11	32	20	13	55
PF1540-24-24	G1.1/2"X11	40	24	13	55
PF1540-32-24	G2"X11	40	24	16	70
PF1540-32-32	G2"X11	50	32	16	70

## 45° BSP Female 60° Cone

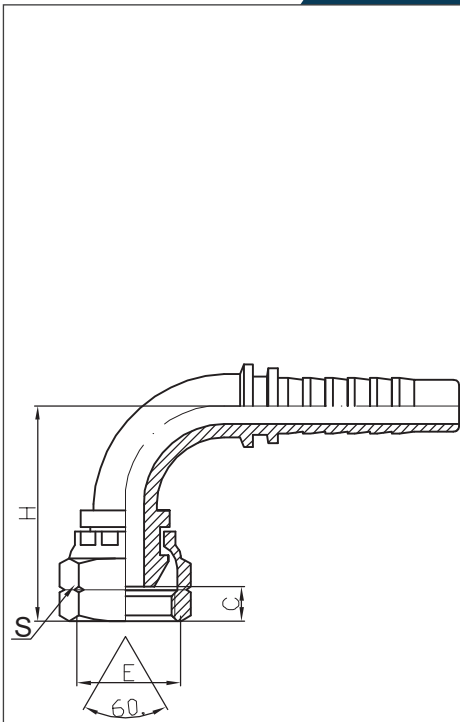


PART NO.	THREAD	HOSE BORE		DIMENSIONS		
	E	DN	DASH	C	H	S
PF1542-04-04	G1/4"X19	6	4	6	20	19
PF1542-06-04	G3/8"X19	6	4	6	21	22
PF1542-06-05	G3/8"X19	8	5	6	22	22
PF1542-06-06	G3/8"X19	10	6	6	23	22
PF1542-08-06	G1/2"X14	10	6	8	24	27
PF1542-08-08	G1/2"X14	12	8	8	26	27
PF1542-10-08	G5/8"X14	12	8	10	27	30
PF1542-10-10	G5/8"X14	16	10	10	28	30
PF1542-12-08	G3/4"X14	12	8	11	27	32
PF1542-12-10	G3/4"X14	16	10	11	28	32
PF1542-12-12	G3/4"X14	20	12	11	32	32
PF1542-16-12	G1"X11	20	12	12	33	41
PF1542-16-16	G1"X11	25	16	12	34	41
PF1542-20-16	G1.1/4"X11	25	16	11	31	50
PF1542-20-20	G1.1/4"X11	32	20	11	38	50
PF1542-24-24	G1.1/2"X11	40	24	13	46	55
PF1542-32-32	G2"X11	50	32	16	53	70

\*The above technical is subject to change without notice due to continuous development and research.



### 90° BSP Female 60° Cone

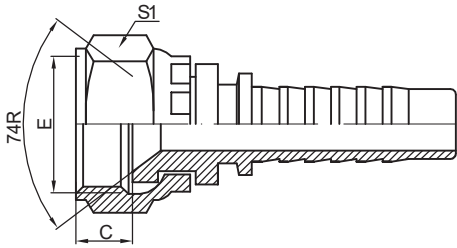


PART NO.	THREAD	HOSE BORE		DIMENSIONS		
	E	DN	DASH	C	H	S
PF1541-02-03	G1/8"X28	5	3	6	32	14
PF1541-02-04	G1/8"X28	6	4	6	35	14
PF1541-04-03	G1/4"X19	5	3	6	34	19
PF1541-04-04	G1/4"X19	6	4	6	37	19
PF1541-06-04	G3/8"X19	6	4	6	38	22
PF1541-06-05	G3/8"X19	8	5	6	41	22
PF1541-06-06	G3/8"X19	10	6	6	43	22
PF1541-08-06	G1/2"X14	10	6	7	43	27
PF1541-08-08	G1/2"X14	12	8	8	51	27
PF1541-08-10	G1/2"X14	16	10	8	56	27
PF1541-10-08	G5/8"X14	12	8	10	52	30
PF1541-10-10	G5/8"X14	16	10	10	56	30
PF1541-12-08	G3/4"X14	12	8	11	52	32
PF1541-12-10	G3/4"X14	16	10	11	57	32
PF1541-12-12	G3/4"X14	20	12	11	66	32
PF1541-16-12	G1"X11	20	12	12	68	41
PF1541-16-14	G1"X11	22	14	12	69	41
PF1541-16-16	G1"X11	25	16	12	74	41
PF1541-20-16	G1.1/4"X11	25	16	11	70	50
PF1541-20-20	G1.1/4"X11	32	20	11	84	50
PF1541-24-24	G1.1/2"X11	40	24	13	103	55
PF1541-32-32	G2"X11	50	32	16	123	70

\*The above technical is subject to change without notice due to continuous development and research.

### JIC Female 74° Cone Seat

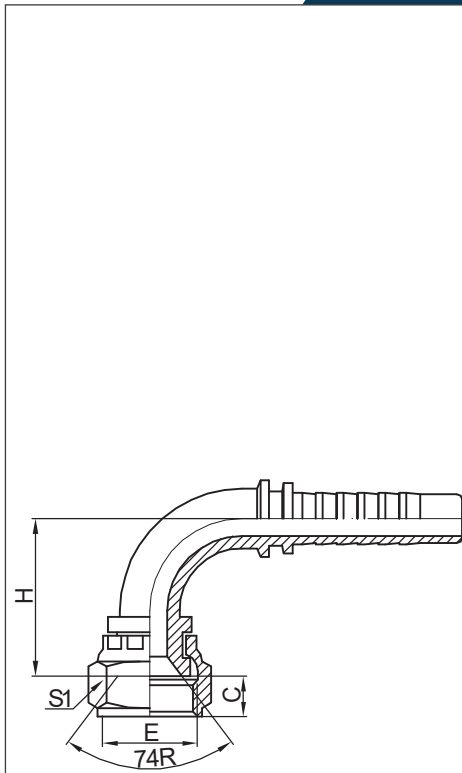
PART NO.	THREAD	HOSE BORE		DIMENSIONS	
	E	DN	DASH	C	S1
PF1550-04-03	7/16"X20	5	3	9	15
PF1550-04-04	7/16"X20	6	4	9	15
PF1550-05-04	1/2"X20	6	4	10	17
PF1550-05-05	1/2"X20	8	5	10	17
PF1550-05-06	1/2"X20	10	6	10	17
PF1550-06-04	9/16"X18	6	4	11	19
PF1550-06-05	9/16"X18	8	5	11	19
PF1550-06-06	9/16"X18	10	6	11	19
PF1550-06-08	9/16"X18	12	8	11	19
PF1550-08-06	3/4"X16	10	6	11	24
PF1550-08-08	3/4"X16	12	8	11	24
PF1550-08-10	3/4"X16	16	10	11	24
PF1550-10-08	7/8"X14	12	8	13	27
PF1550-10-10	7/8"X14	16	10	13	27
PF1550-10-12	7/8"X14	20	12	13	27
PF1550-12-08	1.1/16"X12	12	8	15	32
PF1550-12-10	1.1/16"X12	16	10	15	32
PF1550-12-12	1.1/16"X12	20	12	15	32
PF1550-12-16	1.1/16"X12	25	16	15	32
PF1550-14-12	1.1/16"X12	20	12	15	36
PF1550-16-12	1.5/16"X12	20	12	16	41
PF1550-16-16	1.5/16"X12	25	16	16	41
PF1550-16-20	1.5/16"X12	32	20	16	41
PF1550-20-16	1.5/8"X12	25	16	17	50
PF1550-20-20	1.5/8"X12	32	20	17	50
PF1550-24-20	1.7/8"X12	32	20	20	55
PF1550-24-24	1.7/8"X12	40	24	20	55
PF1550-32-24	2.1/2"X12	40	24	24	75
PF1550-32-32	2.1/2"X12	50	32	24	75



\*The above technical is subject to change without notice due to continuous development and research.



### 90° JIC Female 74° Cone Seat

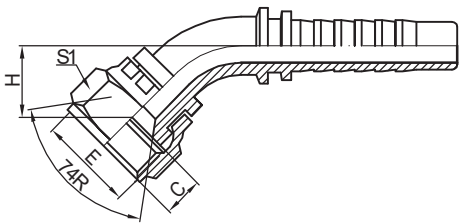


PART NO.	THREAD	HOSE BORE		DIMENSIONS		
	E	DN	DASH	C	H	S1
PF1551-04-03	7/16"X20	5	3	9	31	15
PF1551-04-04	7/16"X20	6	4	9	34	15
PF1551-05-04	1/2"X20	6	4	10	34	17
PF1551-05-05	1/2"X20	8	5	10	37	17
PF1551-05-06	1/2"X20	10	6	10	39	17
PF1551-06-04	9/16"X18	6	4	11	34	19
PF1551-06-05	9/16"X18	8	5	11	37	19
PF1551-06-06	9/16"X18	10	6	11	39	19
PF1551-06-08	9/16"X18	12	8	11	46	19
PF1551-08-06	3/4"X16	10	6	11	41	24
PF1551-08-08	3/4"X16	12	8	11	47	24
PF1551-08-10	3/4"X16	16	10	11	52	24
PF1551-10-08	7/8"X14	12	8	13	48	27
PF1551-10-10	7/8"X14	16	10	13	53	27
PF1551-10-12	7/8"X14	20	12	13	64	27
PF1551-12-08	1.1/16"X12	12	8	15	50	32
PF1551-12-10	1.1/16"X12	16	10	15	54	32
PF1551-12-12	1.1/16"X12	20	12	15	64	32
PF1551-12-16	1.1/16"X12	25	16	15	70	32
PF1551-14-12	1.3/16"X12	20	12	15	64	36
PF1551-16-12	1.5/16"X12	20	12	16	64	41
PF1551-16-16	1.5/16"X12	25	16	16	70	41
PF1551-16-20	1.5/16"X12	32	20	16	81	41
PF1551-20-20	1.5/8"X12	32	20	17	81	50
PF1551-24-20	1.7/8"X12	32	20	20	80	55
PF1551-24-24	1.7/8"X12	40	24	20	94	55
PF1551-32-32	2.1/2"X12	50	32	24	122	75

\*The above technical is subject to change without notice due to continuous development and research.

## 45° JIC Female 74° Cone Seat

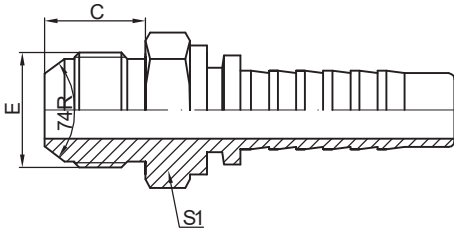
PART NO.	THREAD	HOSE BORE		DIMENSIONS		
	E	DN	DASH	C	H	S1
PF1552-04-03	7/16"X20	5	3	9	15	15
PF1552-04-04	7/16"X20	6	4	9	15	15
PF1552-05-04	1/2"X20	6	4	10	17	17
PF1552-05-05	1/2"X20	8	5	10	17	17
PF1552-05-06	1/2"X20	10	6	10	17	17
PF1552-06-04	9/16"X18	6	4	11	19	19
PF1552-06-05	9/16"X18	8	5	11	19	19
PF1552-06-06	9/16"X18	10	6	11	19	19
PF1552-06-08	9/16"X18	12	8	11	19	19
PF1552-08-06	3/4"X16	10	6	11	24	24
PF1552-08-08	3/4"X16	12	8	11	24	24
PF1552-10-08	7/8"X14	12	8	13	27	27
PF1552-10-10	7/8"X14	16	10	13	27	27
PF1552-10-12	7/8"X14	20	12	13	27	27
PF1552-12-08	1.1/16"X12	12	8	15	32	32
PF1552-12-10	1.1/16"X12	16	10	15	32	32
PF1552-12-12	1.1/16"X12	20	12	15	32	32
PF1552-12-16	1.1/16"X12	25	16	15	32	32
PF1552-14-12	1.3/16"X12	20	12	15	36	36
PF1552-16-12	1.5/16"X12	20	12	16	41	41
PF1552-16-16	1.5/16"X12	25	16	16	41	41
PF1552-16-20	1.5/16"X12	32	20	16	41	41
PF1552-20-20	1.5/8"X12	32	20	17	50	50
PF1552-24-20	1.7/8"X12	32	20	20	55	55
PF1552-24-24	1.7/8"X12	40	24	20	55	55
PF1552-32-32	2.1/2"X12	50	32	24	75t	75



\*The above technical is subject to change without notice due to continuous development and research.

### JIC Male 74° Cone Seat

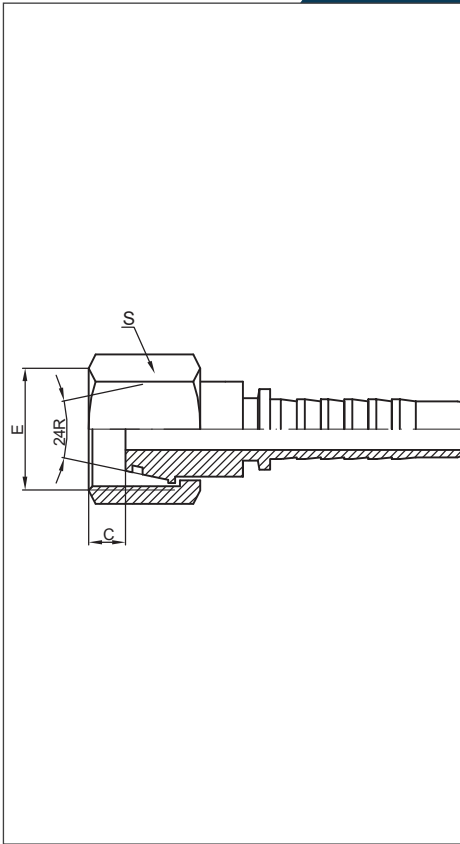
PART NO.	THREAD	HOSE BORE		DIMENSIONS	
	E	DN	DASH	C	S1
PF1553-04-03	7/16"X20	5	3	14	12
PF1553-04-04	7/16"X20	6	4	14	12
PF1553-05-04	1/2"X20	6	4	14	14
PF1553-05-05	1/2"X20	8	5	14	14
PF1553-05-06	1/2"X20	10	6	14	17
PF1553-06-04	9/16"X18	6	4	14	17
PF1553-06-05	9/16"X18	8	5	14	17
PF1553-06-06	9/16"X18	10	6	14	17
PF1553-08-06	3/4"X16	10	6	17	22
PF1553-08-08	3/4"X16	12	8	17	22
PF1553-10-06	7/8"X14	10	6	19	24
PF1553-10-08	7/8"X14	12	8	19	24
PF1553-10-10	7/8"X14	16	10	19	24
PF1553-12-08	1.1/16"X12	12	8	22	27
PF1553-12-10	1.1/16"X12	16	10	22	27
PF1553-12-12	1.1/16"X12	20	12	22	27
PF1553-12-16	1.1/16"X12	25	16	22	30
PF1553-14-10	1.3/16"X12	16	10	23	32
PF1553-14-12	1.3/16"X12	20	12	23	32
PF1553-16-12	1.5/16"X12	20	12	23	36
PF1553-16-16	1.5/16"X12	25	16	23	36
PF1553-20-16	1.5/8"X12	25	16	24	46
PF1553-20-20	1.5/8"X12	32	20	24	46
PF1553-24-20	1.7/8"X12	32	20	28	50
PF1553-24-24	1.7/8"X12	40	24	28	50
PF1553-32-32	2.1/2"X12	50	32	34	65



\*The above technical is subject to change without notice due to continuous development and research.

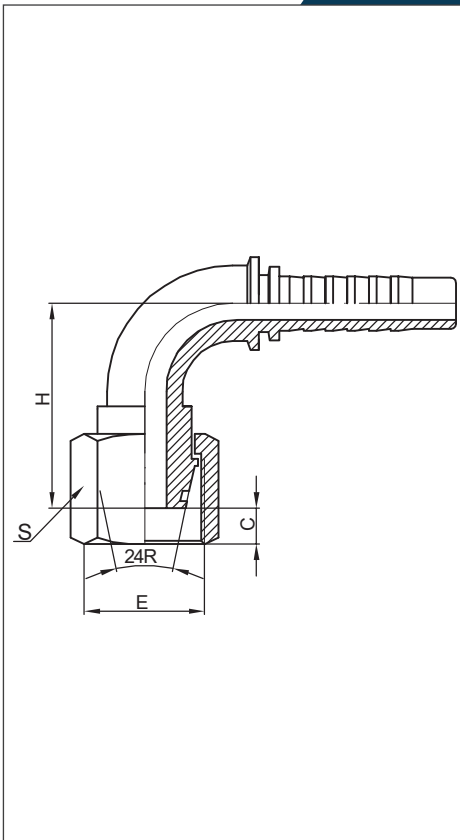
## METRIC HD FITTING

### Metric HD Fitting ST



PART NO.	THREAD	HOSE BORE		TUBE OD	O RING	DIMENSIONS	
	E	DN	DASH			C	S
PF1560-08S-04T	M16X1.5	6	4	8	O06.5X1.5	2	22
PF1560-10S-04T	M18X1.5	6	4	10	O08.0X1.5	2	22
PF1560-10S-06T	M18X1.5	10	6	10	O08.0X1.5	2	24
PF1560-12S-05T	M20X1.5	8	5	12	O10.0X1.5	3	24
PF1560-12S-08T	M20X1.5	12	8	12	O10.0X1.5	3	27
PF1560-14S-06T	M22X1.5	10	6	14	O11.0X2.0	3	27
PF1560-14S-08T	M22X1.5	12	8	14	O11.0X2.0	3	27
PF1560-16S-06T	M24X1.5	10	6	16	O13.0X2.0	3	30
PF1560-16S-08T	M24X1.5	12	8	16	O13.0X2.0	3	30
PF1560-20S-10T	M30X2	16	10	20	O16.3X2.4	3	36
PF1560-20S-12T	M30X2	20	12	20	O16.3X2.4	3	36
PF1560-25S-12T	M36X2	20	12	25	O20.3X2.4	3	41
PF1560-25S-14T	M36X2	22	14	25	O20.3X2.4	3	41
PF1560-30S-12T	M42X2	20	12	30	O25.3X2.4	5	50
PF1560-30S-16T	M42X2	25	16	30	O25.3X2.4	5	50
PF1560-38S-20T	M52X2	32	20	38	O33.3X2.4	7	60
PF1560-38S-24T	M52X2	40	24	38	O33.3X2.4	7	60

### 90° Metric Female 24° Cone

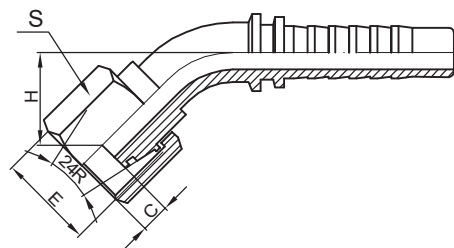


PART NO.	THREAD	HOSE BORE		O RING	DIMENSIONS		
	E	DN	DASH		C	H	S
PF1561-08S-04T	M16X1.5	6	4	O06.5X1.5	2	48	22
PF1561-08S-05T	M16X1.5	8	5	O06.5X1.5	2	51	22
PF1561-10S-05T	M18X1.5	8	5	O08.0X1.5	2	42	22
PF1561-10S-06T	M18X1.5	10	6	O08.0X1.5	2	53	24
PF1561-12S-06T	M20X1.5	10	6	O10.0X1.5	3	46	24
PF1561-12S-08T	M20X1.5	12	8	O10.0X1.5	3	61	27
PF1561-14S-06T	M22X1.5	10	6	O11.0X2.0	3	47	27
PF1561-14S-08T	M22X1.5	12	8	O11.0X2.0	3	61	27
PF1561-16S-08T	M24X1.5	12	8	O13.0X2.0	3	53	30
PF1561-16S-10T	M24X1.5	16	10	O13.0X2.0	3	68	30
PF1561-20S-10T	M30X2	16	10	O16.3X2.4	3	61	36
PF1561-20S-12T	M30X2	20	12	O16.3X2.4	3	81	36
PF1561-25S-12T	M36X2	20	12	O20.3X2.4	3	70	41
PF1561-25S-14T	M36X2	22	14	O20.3X2.4	3	71	41
PF1561-30S-16T	M42X2	25	16	O25.3X2.4	5	78	50
PF1561-38S-20T	M52X2	32	20	O33.3X2.4	7	89	60
PF1561-38S-24T	M52X2	40	24	O33.3X2.4	7	103	60

\*The above technical is subject to change without notice due to continuous development and research.

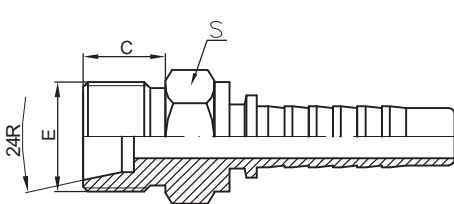


### 45° Metric Female 24° Cone



PART NO.	THREAD	HOSE BORE		O RING	DIMENSIONS		
	E	DN	DASH		C	H	S
PF1562-08S-04T	M16X1.5	6	4	O06.5X1.5	2	28	22
PF1562-08S-05T	M16X1.5	8	5	O06.5X1.5	2	29	22
PF1562-10S-05T	M18X1.5	6	4	O08.0X1.5	2	21	22
PF1562-10S-06T	M18X1.5	10	6	O08.0X1.5	2	30	24
PF1562-12S-06T	M20X1.5	10	6	O10.0X1.5	3	25	24
PF1562-12S-08T	M20X1.5	12	8	O10.0X1.5	3	33	27
PF1562-14S-06T	M22X1.5	10	6	O11.0X2.0	3	25	27
PF1562-14S-08T	M22X1.5	12	8	O11.0X2.0	3	33	27
PF1562-16S-08T	M24X1.5	12	8	O13.0X2.0	3	28	30
PF1562-20S-10T	M30X2	16	10	O16.3X2.4	3	31	36
PF1562-20S-12T	M30X2	20	12	O16.3X2.4	3	42	36
PF1562-25S-12T	M36X2	20	12	O20.3X2.4	3	35	41
PF1562-25S-14T	M36X2	22	14	O20.3X2.4	3	34	41
PF1562-30S-16T	M42X2	25	16	O25.3X2.4	5	37	50
PF1562-38S-20T	M52X2	32	20	O33.3X2.4	7	41	60
PF1562-38S-24T	M52X2	40	24	O33.3X2.4	7	45	60

### Metric Male 24° Cone Seat

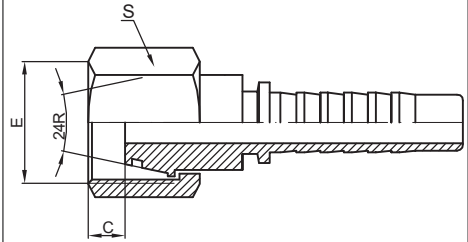


PART NO.	THREAD	HOSE BORE		DIMENSIONS	
	E	DN	DASH	C	S
PF1563-06S-04	M14X1.5	6	4	12	14
PF1563-08S-04	M16X1.5	6	4	12	17
PF1563-10S-04	M18X1.5	6	4	12	19
PF1563-12S-05	M20X1.5	8	5	12	22
PF1563-12S-06	M20X1.5	10	6	12	22
PF1563-14S-05	M22X1.5	8	5	14	24
PF1563-14S-06	M22X1.5	10	6	14	24
PF1563-16S-08	M22X1.5	12	8	14	24
PF1563-16S-08	M24X1.5	12	8	14	27
PF1563-20S-10	M30X2	16	10	16	32
PF1563-20S-12	M30X2	20	12	16	32
PF1563-25S-12	M36X2	20	12	18	41
PF1563-25S-16	M36X2	25	16	18	38
PF1563-30S-16	M42X2	25	16	20	46
PF1563-30S-20	M42X2	32	20	20	46
PF1563-38S-20	M52X2	32	20	22	55

\*The above technical is subject to change without notice due to continuous development and research.

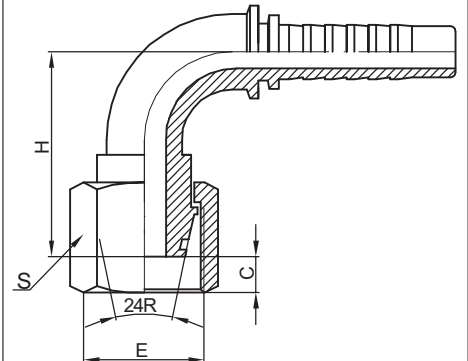
## METRIC LD FITTING

### Metric Female 24° Cone



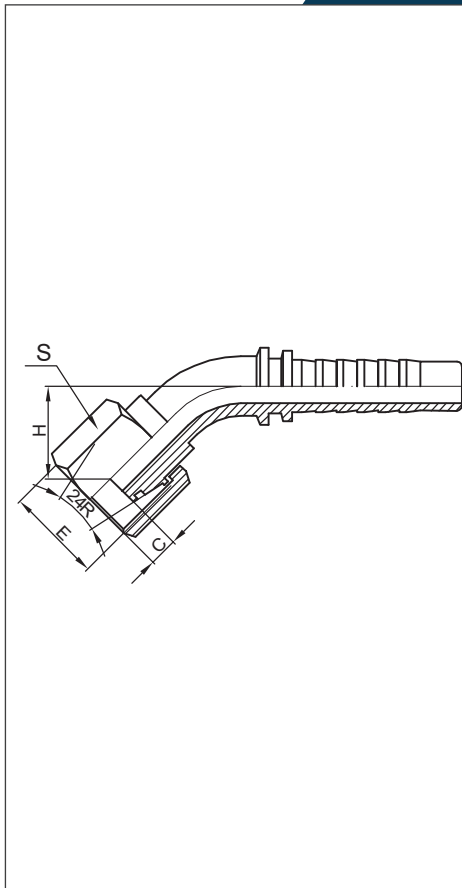
PART NO.	THREAD	HOSE BORE		O RING	DIMENSIONS	
	E	DN	DASH		C	S
PF1560-06L-04T	M12X1.5	6	4	O04.5X1.5	1	17
PF1560-08L-04T	M14X1.5	6	4	O06.5X1.5	2	19
PF1560-08L-06T	M14X1.5	10	6	O06.5X1.5	2	19
PF1560-10L-04T	M16X1.5	6	4	O08.0X1.5	2	22
PF1560-10L-05T	M16X1.5	8	5	O08.0X1.5	2	22
PF1560-10L-06T	M16X1.5	10	6	O08.0X1.5	2	22
PF1560-12L-06T	M18X1.5	10	6	O10.0X1.5	2.5	24
PF1560-12L-08T	M18X1.5	12	8	O10.0X1.5	2.5	24
PF1560-15L-06T	M22X1.5	10	6	O12.0X2.0	2.5	27
PF1560-15L-08T	M22X1.5	12	8	O12.0X2.0	2.5	27
PF1560-18L-10T	M26X1.5	16	10	O15.0X2.0	2.5	32
PF1560-18L-12T	M26X1.5	20	12	O15.0X2.0	2.5	32
PF1560-27-10T	M27X1.5	16	10	O15.0X2.0	2.5	32
PF1560-22L-10T	M30X2	16	10	O20.0X2.0	4	36
PF1560-22L-12T	M30X2	20	12	O20.0X2.0	4	36
PF1560-28L-12T	M36X2	20	12	O26.0X2.0	4	41
PF1560-28L-14T	M36X2	22	14	O26.0X2.0	4	41
PF1560-35L-16T	M45X2	25	16	O32.0X2.5	5	55
PF1560-35L-20T	M45X2	32	20	O32.0X2.5	5	55
PF1560-42L-20T	M52X2	32	20	O38.0X2.5	5.5	60
PF1560-42L-24T	M52X2	40	24	O38.0X2.5	5.5	60

### 90° Metric Female 24° Cone



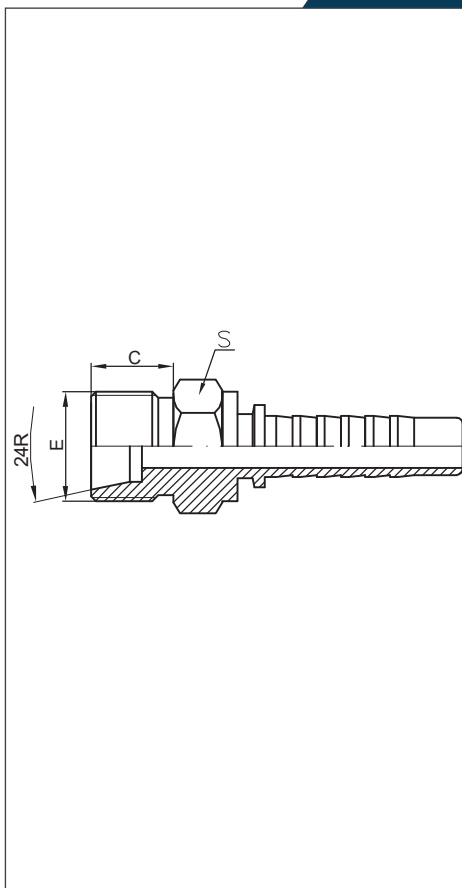
PART NO.	THREAD	HOSE BORE		O RING	DIMENSIONS		
	E	DN	DASH		C	H	S
PF1561-06L-03T	M12X1.5	5	3	O4.5X1.5	1	24	14
PF1561-06L-04	M12X1.5	6	4	O4.5X1.5	1	45	17
PF1561-08L-04T	M14X1.5	6	4	O6.5X1.5	2	46	19
PF1561-10L-04T	M16X1.5	6	4	O6.5X1.5	2	48	22
PF1561-10L-05T	M16X1.5	8	5	O8.0X1.5	2	51	22
PF1561-12L-06T	M18X1.5	10	6	O8.0X1.5	2	53	24
PF1561-15L-06T	M22X1.5	12	8	O11.0X2.0	3	57	27
PF1561-18L-08T	M26X1.5	12	8	O15.0X2.0	3	61	27
PF1561-18L-10T	M26X1.5	16	10	O15.0X2.0	3	68	32
PF1561-27-10T	M27X1.5	16	10	O15.0X2.0	3	68	32
PF1561-22L-10T	M30X2	16	10	O20.0X2.0	4	57	36
PF1561-22L-12T	M30X2	20	12	O16.3X2.4	3	81	36
PF1561-28L-12T	M36X2	20	12	O26.0X2.0	4	69	41
PF1561-28L-14T	M36X2	22	14	O26.0X2.0	4	70	41
PF1561-35L-16T	M45X2	25	16	O32.0X2.5	5	75	55
PF1561-35L-20T	M45X2	32	20	O32.0X2.5	5	89	55
PF1561-42L-24T	M52X2	40	24	O38.0X2.5	6	104	60

### 45° Metric Female 24° Cone



PART NO.	THREAD	HOSE BORE		O RING	DIMENSIONS		
	E	DN	DASH		C	H	S
PF1562-08L-04T	M14X1.5	6	4	O06.5X1.5	2	27	19
PF1562-10L-05T	M16X1.5	8	5	O08.0X1.5	2	28	22
PF1562-10L-06T	M16X1.5	10	6	O08.0X1.5	2	29	22
PF1562-12L-05T	M18X1.5	8	5	O10.0X1.5	3	23	22
PF1562-12L-06T	M18X1.5	10	6	O10.0X1.5	3	30	24
PF1562-15L-05T	M22X1.5	8	5	O12.0X2.0	3	25	27
PF1562-15L-06T	M22X1.5	10	6	O12.0X2.0	3	26	27
PF1562-18L-08T	M26X1.5	12	8	O15.0X2.0	3	26	32
PF1562-18L-12	M26X1.5	20	12	O15.0X2.0	3	40	32
PF1562-27-10T	M27X1.5	16	10	O15.0X2.0	3	28	32
PF1562-27-12	M27X1.5	20	12	O15.0X2.0	3	40	32
PF1562-22L-10T	M30X2	16	10	O20.0X2.0	4	30	36
PF1562-22L-12T	M30X2	20	12	O20.0X2.0	4	42	36
PF1562-28L-12T	M36X2	20	12	O26.0X2.0	4	34	41
PF1562-28L-14T	M36X2	22	14	O26.0X2.0	4	33	41
PF1562-35L-20T	M45X2	32	20	O32.0X2.5	5	41	55
PF1562-42L-20T	M52X2	32	20	O38.0X2.5	6	42	60
PF1562-42L-24T	M52X2	40	24	O38.0X2.5	6	46	60

### Metric Male 24° Cone Seat

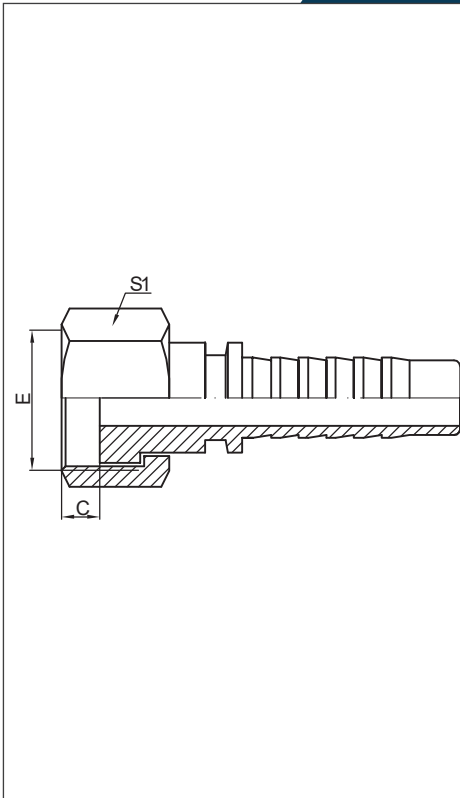


PART NO.	THREAD	HOSE BORE		DIMENSIONS	
	E	DN	DASH	C	S
PF1563-06L-04	M12X1.5	6	4	10	12
PF1563-08L-04	M14X1.5	6	4	10	14
PF1563-08L-05	M14X1.5	8	5	10	14
PF1563-10L-04	M16X1.5	6	4	11	17
PF1563-10L-05	M16X1.5	8	5	11	17
PF1563-10L-06	M16X1.5	10	6	11	17
PF1563-12L-05	M18X1.5	8	5	11	19
PF1563-12L-06	M18X1.5	10	6	11	19
PF1563-15L-06	M22X1.5	10	6	12	24
PF1563-15L-08	M22X1.5	12	8	12	24
PF1563-18L-08	M26X1.5	12	8	12	27
PF1563-18L-10	M26X1.5	16	10	12	27
PF1563-27-10	M27X1.5	16	10	14	30
PF1563-22L-10	M30X2	16	10	14	32
PF1563-22L-12	M30X2	20	12	14	32
PF1563-28L-16	M36X2	25	16	14	38
PF1563-32L-20	M45X2	32	20	16	46
PF1563-38L-24	M52X2	40	24	16	55

\*The above technical is subject to change without notice due to continuous development and research.

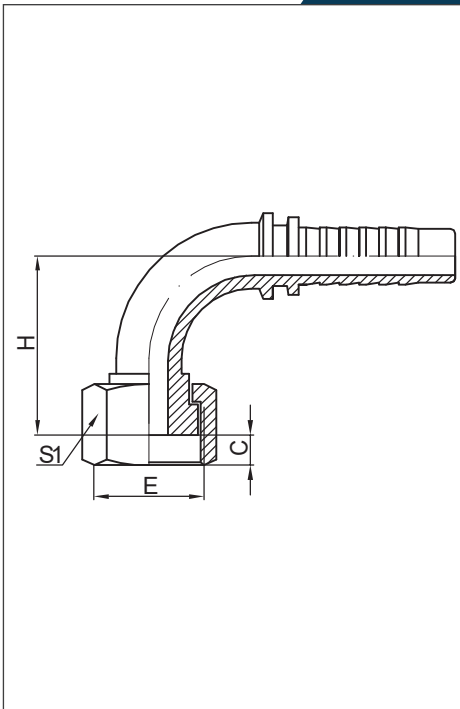
## ORFS FITTING

### ORFS Female Flat Seat



PART NO.	THREAD	HOSE BORE		DIMENSIONS	
	E	DN	DASH	C	S1
PF1570-04-04	9/16"X18	6	4	9	19
PF1570-04-05	9/16"X18	8	5	9	19
PF1570-04-06	9/16"X18	10	6	9	19
PF1570-06-06	11/16"X16	10	6	10	22
PF1570-06-08	11/16"X16	12	8	10	22
PF1570-08-08	13/16"X16	12	8	11	27
PF1570-08-10	13/16"X16	16	10	11	27
PF1570-10-10	1"X14	16	10	14	30
PF1570-10-12	1"X14	20	12	14	30
PF1570-12-12	1.3/16"X12	20	12	15	36
PF1570-12-16	1.3/16"X12	25	16	15	36
PF1570-16-20	1.7/16"X12	32	20	15	41
PF1570-20-20	1.11/16"X12	32	20	15	50
PF1570-20-24	1.11/16"X12	40	24	15	50
PF1570-24-20	2"X12	32	20	15	60
PF1570-24-24	2"X12	40	24	15	60

### 90° ORFS Female Flat Seat

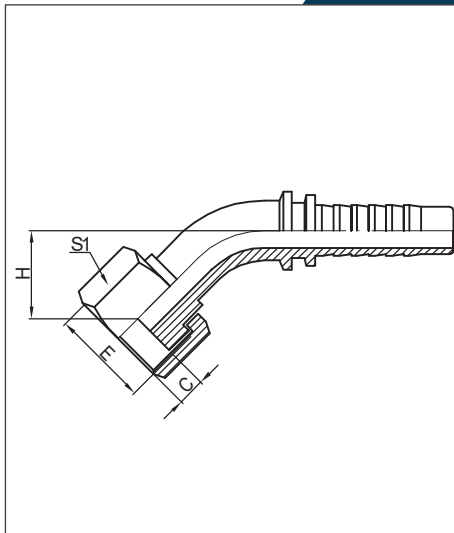


PART NO.	THREAD	HOSE BORE		DIMENSIONS		
	E	DN	DASH	H	C	S1
PF1571-04-04	9/16"X18	6	4	41	9	19
PF1571-04-05	9/16"X18	8	5	44	9	19
PF1571-04-06	9/16"X18	10	6	46	9	19
PF1571-06-06	11/16"X16	10	6	50	10	22
PF1571-06-08	11/16"X16	12	8	55	10	22
PF1571-08-08	13/16"X16	12	8	57	11	27
PF1571-08-10	13/16"X16	16	10	62	11	27
PF1571-10-10	1"X14	16	10	66	14	30
PF1571-10-12	1"X14	20	12	76	14	30
PF1571-12-12	1.3/16"X12	20	12	77	15	36
PF1571-12-16	1.3/16"X12	25	16	84	15	36
PF1571-16-20	1.7/16"X12	32	20	96	15	41
PF1571-20-20	1.11/16"X12	32	20	100	15	50
PF1571-20-24	1.11/16"X12	40	24	114	15	50

\*The above technical is subject to change without notice due to continuous development and research.

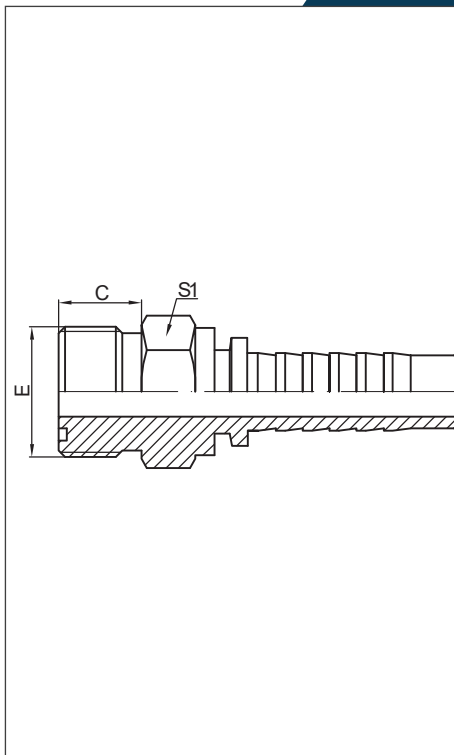


### 45° ORFS Female Flat Seat



PART NO.	THREAD	HOSE BORE		DIMENSIONS		
	E	DN	DASH	H	C	S1
PF1572-04-04	9/16" X 18	6	4	21	11	19
PF1572-06-06	11/16" X 16	10	6	24	10	22
PF1572-10-08	1" X 14	13	8	23	14	30
PF1572-12-08	1.3/16" X 12	13	8	24	13	36
PF1572-12-10	1.3/16" X 12	16	10	20	13	36
PF1572-10-10	1" X 14	16	10	19	14	30
PF1572-12-12	1.3/16" X 12	20	12	27	13	36
PF1572-16-12	1.7/16" X 12	20	12	30	14	41
PF1572-16-16	1.7/16" X 12	25	16	30	14	41
PF1572-24-24	2" X 12	40	24	38	19	60

### ORFS Male O-Ring Seal

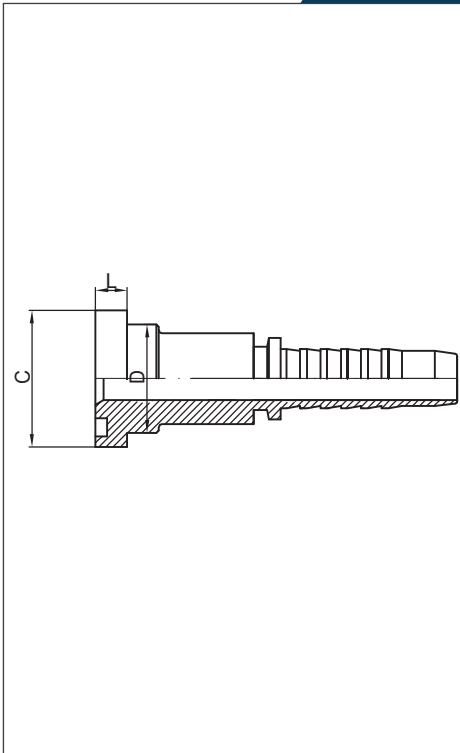


PART NO.	THREAD	HOSE BORE		DIMENSIONS	
	E	DN	DASH	C	S1
PF1573-04-04	9/16"X18	6	4	10	17
PF1573-06-04	11/16"X16	6	4	11	19
PF1573-06-06	11/16"X16	10	6	11	19
PF1573-08-06	13/16"X16	10	6	13	22
PF1573-08-08	13/16"X16	12	8	13	22
PF1573-08-10	13/16"X16	16	10	13	22
PF1573-10-08	1"X14	12	8	16	27
PF1573-10-10	1"X14	16	10	16	27
PF1573-12-08	1.3/16"X12	12	8	17	32
PF1573-12-10	1.3/16"X12	16	10	17	32
PF1573-12-12	1.3/16"X12	20	12	17	32
PF1573-16-12	1.7/16"X12	20	12	18	38
PF1573-16-16	1.7/16"X12	25	16	18	38
PF1573-20-20	1.11/16"X12	32	20	18	46
PF1573-24-24	2"X12	40	24	18	55

\*The above technical is subject to change without notice due to continuous development and research.

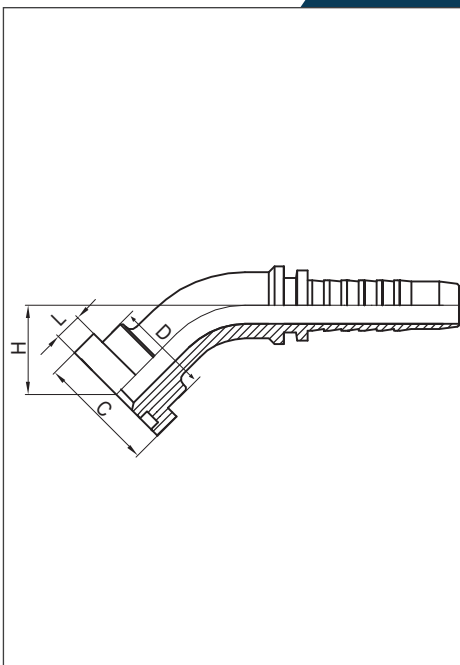
## SAE FLANGE – 3000 PSI

### SAE Flange 3000 Psi



PART NO.	FLANGE SIZE	HOSE BORE		DIMENSIONS		
		DN	DASH	C	D	L
PF1580-08-08	1/2"	12	8	30	24	7
PF1580-12-08	3/4"	12	8	38	32	7
PF1580-12-10	3/4"	16	10	38	32	7
PF1580-12-12	3/4"	20	12	38	32	7
PF1580-12-16	3/4"	25	16	38	32	7
PF1580-16-12	1"	20	12	44	38	8
PF1580-16-16	1"	25	16	44	38	8
PF1580-16-20	1"	32	20	44	38	8
PF1580-20-16	1.1/4"	25	16	51	43	8
PF1580-20-20	1.1/4"	32	20	51	43	8
PF1580-24-20	1.1/2"	32	20	60	50	8
PF1580-24-24	1.1/2"	40	24	60	50	8
PF1580-32-24	2"	40	24	71	62	10
PF1580-32-32	2"	50	32	71	62	10
PF1580-40-40	2.1/2"	64	40	84	74	10

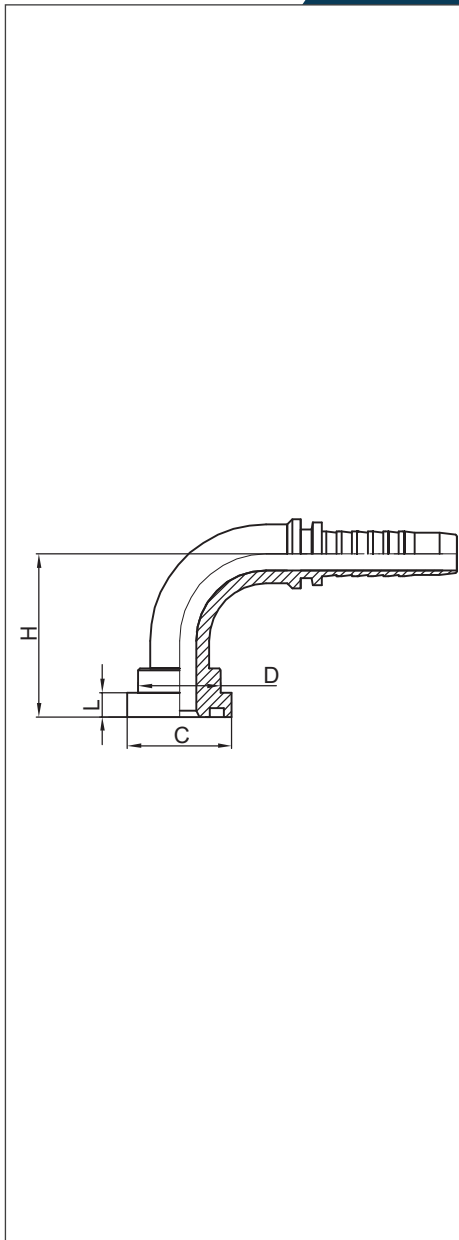
### 45° SAE Flange 3000 Psi



PART NO.	FLANGE SIZE	HOSE BORE		DIMENSIONS			
		DN	DASH	C	D	H	L
PF1582-08-08	1/2"	12	8	30	24	23	7
PF1582-12-08	3/4"	12	8	38	32	24	7
PF1582-12-10	3/4"	16	10	38	32	25	7
PF1582-12-12	3/4"	20	12	38	32	29	7
PF1582-16-12	1"	20	12	44	38	29	8
PF1582-16-16	1"	25	16	44	38	30	8
PF1582-16-20	1"	32	20	44	38	34	8
PF1582-20-16	1.1/4"	25	16	51	43	30	8
PF1582-20-20	1.1/4"	32	20	51	43	34	8
PF1582-24-20	1.1/2"	32	20	60	50	35	8
PF1582-24-24	1.1/2"	40	24	60	50	39	8
PF1582-32-24	2"	40	24	71	62	39	10
PF1582-32-32	2"	50	32	71	62	46	10

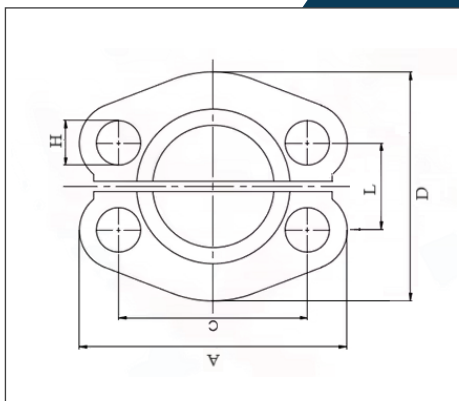
\*The above technical is subject to change without notice due to continuous development and research.

### 90° SAE Flange 3000 Psi



PART NO.	THREAD	HOSE BORE		DIMENSIONS			
		DN	DASH	C	D	H	L
PF1581-08-08	1/2"	12	8	30	24	47	7
PF1581-12-08	3/4"	12	8	38	32	48	7
PF1581-12-10	3/4"	16	10	37	32	53	7
PF1581-12-12	3/4"	20	12	38	32	62	7
PF1581-12-12(H100)	3/4"	20	12	38	32	100	7
PF1581-12-12(H127)	3/4"	20	12	38	32	127	7
PF1581-12-12(H150)	3/4"	20	12	38	32	150	7
PF1581-12-16	3/4"	25	16	38	32	68	7
PF1581-16-12	1"	20	12	44	38	62	8
PF1581-16-16	1"	25	16	44	38	68	8
PF1581-16-16(H100)	1"	25	16	44	38	100	8
PF1581-16-16(H127)	1"	25	16	44	38	127	8
PF1581-16-16(H150)	1"	25	16	44	38	150	8
PF1581-16-20	1"	32	20	44	38	79	8
PF1581-20-16	1.1/4"	25	16	51	43	68	8
PF1581-20-20	1.1/4"	32	20	51	43	79	8
PF1581-20-20(H100)	1.1/4"	32	20	51	43	100	8
PF1581-20-20(H127)	1.1/4"	32	20	51	43	127	8
PF1581-20-20(H150)	1.1/4"	32	20	51	43	150	8
PF1581-20-24	1.1/4"	40	24	51	43	79	8
PF1581-24-20	1.1/2"	32	20	60	50	81	8
PF1581-24-24	1.1/2"	40	24	60	50	94	8
PF1581-24-24(H127)	1.1/2"	40	24	60	50	127	8
PF1581-32-24	2"	40	24	71	62	94	10
PF1581-32-32	2"	50	32	71	62	114	10
PF1581-40-32	2.1/2"	50	32	84	75	114	10

### SAE Split Flange Clamps 3000 Psi

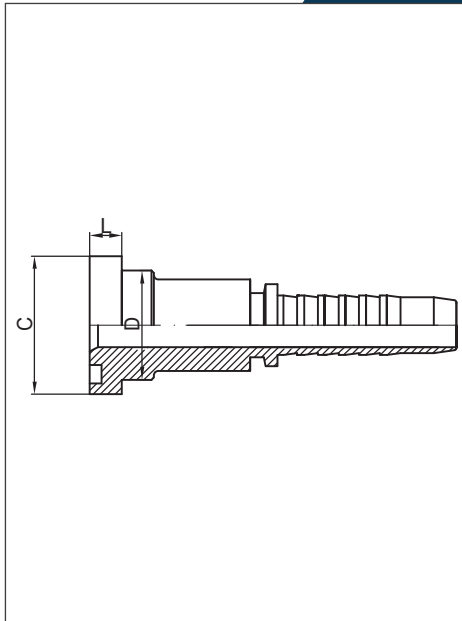


PART NO.	FLANGE SIZE	DIMENSIONS					BOLT	MP
		A	D	C	H	L		
PF190-08	1/2"	54	46	38	9	18	M8X25	34.5
PF190-12	3/4"	65	52	48	11	22	M10X30	
PF190-16	1"	70	59	52	11	26	M10X30	
PF190-20	1.1/4"	79	73	59	11	30	M10X30	27.6
PF190-24	1.1/2"	94	83	70	14	36	M12X35	20.7
PF190-32	2"	102	97	78	14	43	M12X35	
PF190-40	2.1/2"	114	109	89	14	51	M12X40	10

\*The above technical is subject to change without notice due to continuous development and research.

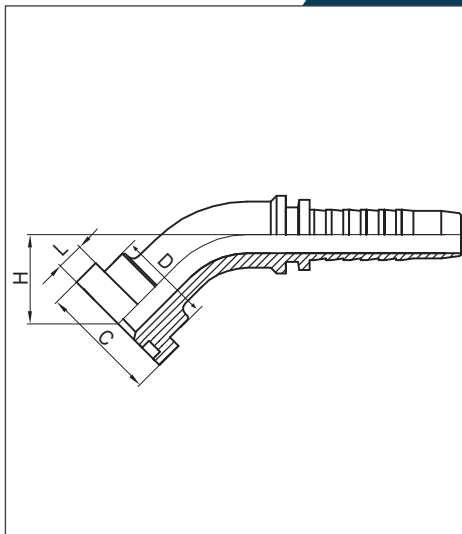
## SAE FLANGE – 6000 PSI

### SAE Flange 6000 Psi



PART NO.	THREAD	HOSE BORE		DIMENSIONS		
		DN	DASH	C	D	H
PF1590-08-08	1/2"	12	8	32	24	8
PF1590-12-10	3/4"	16	10	41	32	9
PF1590-12-12	3/4"	20	12	41	32	9
PF1590-16-12	1"	20	12	48	38	10
PF1590-16-16	1"	25	16	48	38	10
PF1590-16-20	1"	32	20	48	38	10
PF1590-20-16	1.1/4"	25	16	54	44	10
PF1590-20-20	1.1/4"	32	20	54	44	10
PF1590-24-20	1.1/2"	32	20	64	51	13
PF1590-24-24	1.1/2"	40	24	64	51	13
PF1590-32-24	2"	40	24	79	67	13
PF1590-32-32	2"	50	32	79	67	13

### 45° SAE Flange 6000 Psi

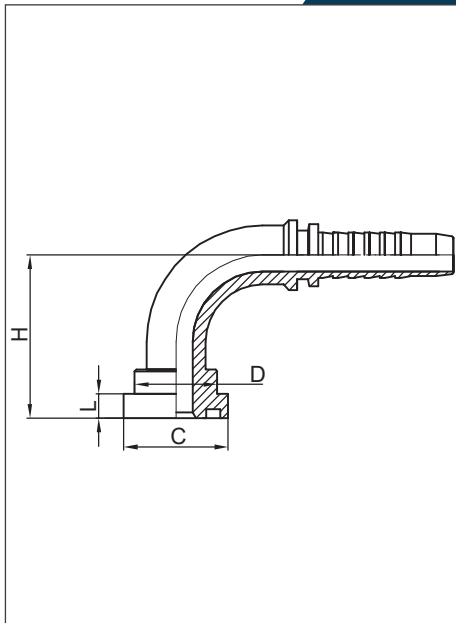


PART NO.	THREAD	HOSE BORE		DIMENSIONS			
		DN	DASH	C	D	H	L
PF1592-08-08	1/2"	12	8	32	24	24	8
PF1592-08-12	1/2"	20	12	32	24	28	8
PF1592-12-10	3/4"	16	10	41	32	28	9
PF1592-12-12	3/4"	20	12	41	32	32	9
PF1592-16-16	1"	25	16	48	38	35	10
PF1592-20-20	1.1/4"	32	20	54	44	42	10
PF1592-24-20	1.1/2"	32	20	64	51	45	13
PF1592-24-24	1.1/2"	40	24	64	51	46	13
PF1592-32-24	2"	40	24	79	67	55	13
PF1592-32-32	2"	50	32	79	67	53	13

\*The above technical is subject to change without notice due to continuous development and research.

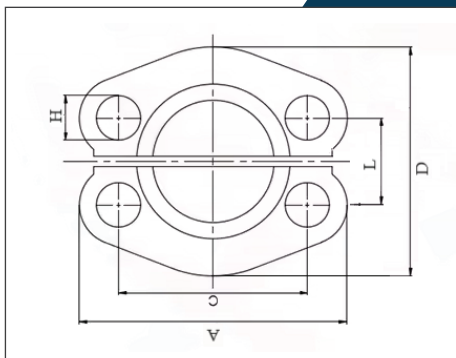


### 90° SAE Flange 6000 Psi



PART NO.	THREAD	HOSE BORE		DIMENSIONS			
		DN	DASH	C	D	H	L
PF1591-08-08	1/2"	12	8	32	24	48	8
PF1591-12-10	3/4"	16	10	41	32	57	9
PF1591-12-12	3/4"	20	12	41	32	66	9
PF1591-16-12	1"	20	12	48	38	69	10
PF1591-16-16	1"	25	16	48	38	75	10
PF1591-16-20	1"	32	20	48	38	86	10
PF1591-20-16	1.1/4"	25	16	54	44	79	10
PF1591-20-20	1.1/4"	32	20	54	44	90	10
PF1591-24-20	1.1/2"	32	20	64	51	95	13
PF1591-24-24	1.1/2"	40	24	64	51	108	13
PF1591-32-24	2"	40	24	79	67	116	13
PF1591-32-32	2"	50	32	79	67	136	13

### SAE Split Flange Clamps 6000 Psi

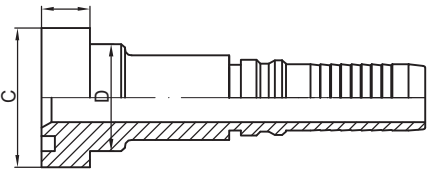


PART NO.	FLANGE SIZE	DIMENSIONS					BOLT	MP
		A	D	C	H	L		
PF191-08	1/2"	56	49	41	9	18	M8X30	42
PF191-12	3/4"	71	62	51	11	24	M10X35	
PF191-16	1"	81	71	57	13	28	M12X45	
PF191-20	1.1/4"	95	79	67	15	32	M14X50	
PF191-24	1.1/2"	113	97	79	17	37	M16X55	
PF191-32	2"	133	116	97	21	44	M20X70	

\*The above technical is subject to change without notice due to continuous development and research.

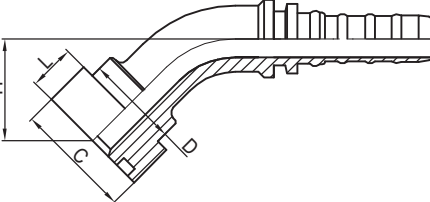
## SAE FLANGE – 9000 PSI

### SAE Flange 9000 Psi



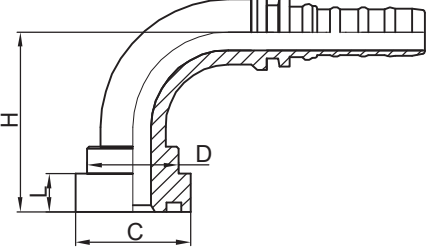
PART NO.	FLANGE SIZE	HOSE BORE		DIMENSIONS		
		DN	DASH	C	D	L
PF9000-12-12	3/4"	20	12	41	32	14
PF9000-16-12	1"	20	12	48	38	14
PF9000-16-16	1"	25	16	48	38	14
PF9000-20-16	1.1/4"	25	16	54	43	14
PF9000-20-20	1.1/4"	32	20	54	43	14
PF9000-24-20	1.1/2"	32	20	64	51	14
PF9000-24-24	1.1/2"	40	24	64	51	14

### 45° SAE Flange 9000 Psi



PART NO.	FLANGE SIZE	HOSE BORE		DIMENSIONS			
		DN	DASH	C	D	H	L
PF9002-12-12	3/4"	20	12	41	32	36	14
PF9002-16-12	1"	20	12	48	38	37	14
PF9002-16-16	1"	25	16	48	38	38	14
PF9002-20-16	1.1/4"	25	16	54	43	38	14
PF9002-20-20	1.1/4"	32	20	54	43	42	14
PF9002-24-20	1.1/2"	32	20	64	51	43	14
PF9002-24-24	1.1/2"	40	24	64	51	47	14

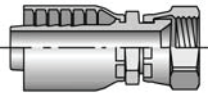

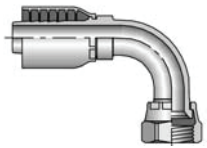
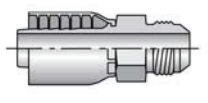
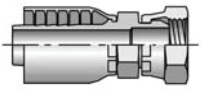
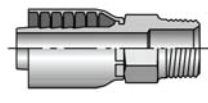
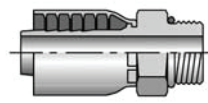
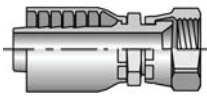
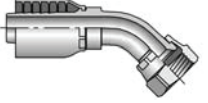
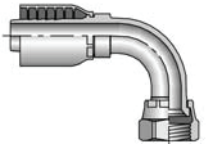
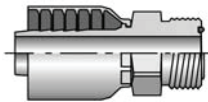
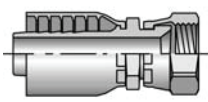
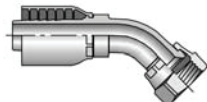
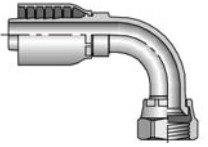
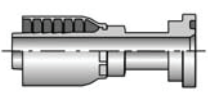
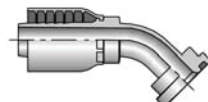
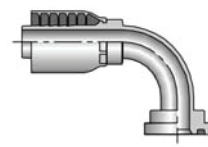
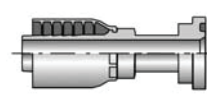
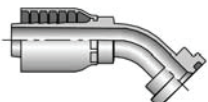
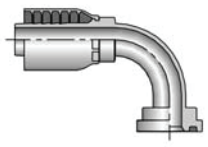
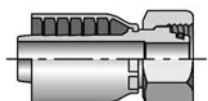

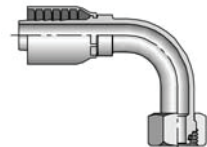
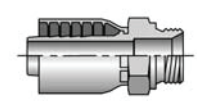
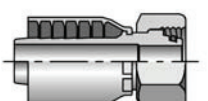
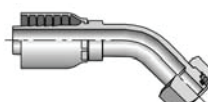
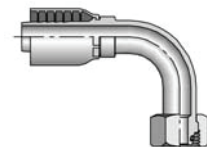
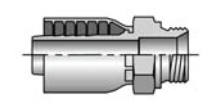
### 90° SAE Flange 9000 Psi



PART NO.	FLANGE SIZE	HOSE BORE		DIMENSIONS			
		DN	DASH	C	D	H	L
PF9001-12-12	3/4"	20	12	41	32	72	14
PF9001-16-12	1"	20	12	48	38	73	14
PF9001-16-16	1"	25	16	48	38	79	14
PF9001-20-16	1.1/4"	25	16	54	43	80	14
PF9001-20-20	1.1/4"	32	20	54	43	91	14
PF9001-24-20	1.1/2"	32	20	64	51	92	14
PF9001-24-24	1.1/2"	40	24	64	51	105	14

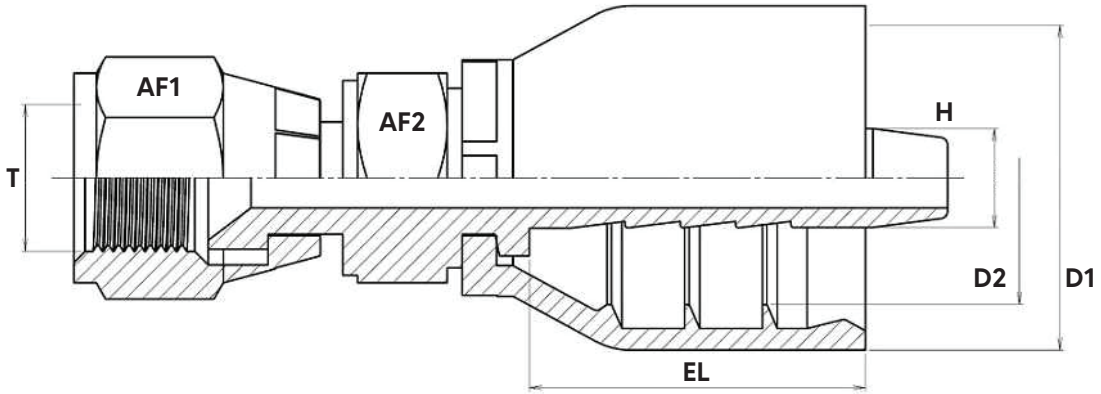
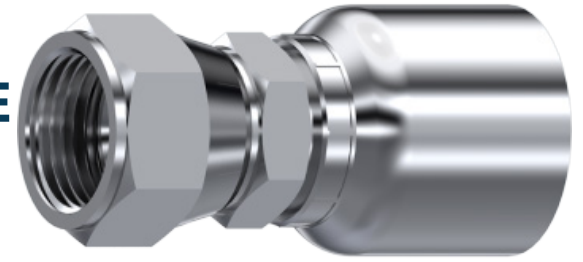
\*The above technical is subject to change without notice due to continuous development and research.

## 43 SERIES INDEX

				
37° Flare JIC Female Swivel <b>PF-43-FJ-SS</b>	37° Flare JIC Female Swivel, 45° <b>PF-43-FJ45-SS</b>	37° Flare JIC Female Swivel, 90° <b>PF-43-FJ90-SS</b>	37° Flare JIC Male Rigid <b>PF-43-MJ-SS</b>	NPT Female Swivel <b>PF-43-FP-SS</b>
				
Pipe Male Rigid <b>PF-43-MP-SS</b>	O-Ring Boss Rigid (ORB) - Stainless <b>PF-43-MORB-SS</b>	O-Ring Face Seal (ORFS) Female Swivel <b>PF-43-FORFS-SS</b>	O-Ring Face Seal (ORFS) Female Swivel, 45° <b>PF-43-FORS45-SS</b>	O-Ring Face Seal (ORFS) Female Swivel, 90° <b>PF-43-FORS90-SS</b>
				
O-Ring Face Seal (ORFS) Male Rigid - Stainless <b>PF-43-MORFS-SS</b>	BSPP Female Swivel - Stainless <b>PF-43-FBSP-SS</b>	BSP 45° Female Swivel Elbow - Stainless <b>PF-43-FBSP45-SS</b>	BSP Female Swivel, 90° Elbow - Stainless <b>PF-43-BSP90-SS</b>	Code 61 Flange Rigid <b>PF-43-C61-SS</b>
				
Code 61 Flange Rigid, 45° <b>PF-43-C6145-SS</b>	Code 61 Flange Rigid, 90° <b>PF-43-C6190-SS</b>	Code 62 Flange Rigid <b>PF-43-C62-SS</b>	Code 62 Flange Rigid, 45° <b>PF-43-C6245-SS</b>	Code 62 Flange Rigid, 90° <b>PF-43-C6290-SS</b>
				
Metric DIN Light <b>PF-43-FML-SS</b>	Metric DIN Light, 45° <b>PF-43-FML45-SS</b>	Metric DIN Light, 90° <b>PF-43-FML90-SS</b>	Male Metric DIN Light <b>PF-43-FMML-SS</b>	Metric DIN Heavy <b>PF-43-FMS-SS</b>
				
	Metric DIN Heavy, 45° <b>PF-43-FMS45-SS</b>	Metric DIN Heavy, 90° <b>PF-43-FMS90-SS</b>	Male Metric DIN Heavy <b>PF-43-MMS-SS</b>	

## ONE PIECE JIC 37° FEMALE SWIVEL STRAIGHT FITTINGS

# PF-43-FJ-SS-ONE PIECE DOUBLE HEXAGONAL JIC 37° FEMALE SWIVEL STRAIGHT FITTING



POLYFIT PART NO.	H	T	AF1	AF2	EL	D1	D2	PARKER PART NO.	DICSA PART NO.	OMEGA PART NO.
PF43-04-04-FJ-SS	1/4"	7/16" -20h UNF	14	14	22.5	23	16.9	10643-04-04	882420704	H-43-FJX-04-04
PF43-04-06-FJ-SS	1/4"	9/16" -18h UNF	19	17	22.5	23	16.9	10643-04-06	882420904	H-43-FJX-04-06
PF43-06-06-FJ-SS	3/8"	9/16" -18h UNF	19	19	24.5	28	20.7	10643-06-06	882420906	H-43-FJX-06-06
PF43-06-08-FJ-SS	3/8"	3/4" -16h UNF	24	19	24.5	28	20.7	10643-06-08	882421206	H-43-FJX-06-08
PF43-08-08-FJ-SS	1/2"	3/4" -16h UNF	24	22	26.7	32	24.8	10643-08-08	882421208	H-43-FJX-08-08
PF43-08-10-FJ-SS	1/2"	7/8" -14h UNF	27	22	26.7	32	24.8	10643-08-10	882421408	H-43-FJX-08-10
PF43-10-10-FJ-SS	5/8"	7/8" -14h UNF	32	27	30.2	35	27.8	10643-10-10	882421410	H-43-FJX-10-10
PF43-12-12-FJ-SS	3/4"	1.1/16" -12h UNF	32	27	35.5	40	32	10643-12-12	882421712	H-43-FJX-12-12
PF43-12-16-FJ-SS	3/4"	1.5/16" -12h UNF	41	32	35.5	40	32	10643-12-16	882422112	H-43-FJX-12-16
PF43-16-16-FJ-SS	1"	1.5/16" -12h UNF	41	32	42	47	39	10643-16-16	882422116	H-43-FJX-16-16

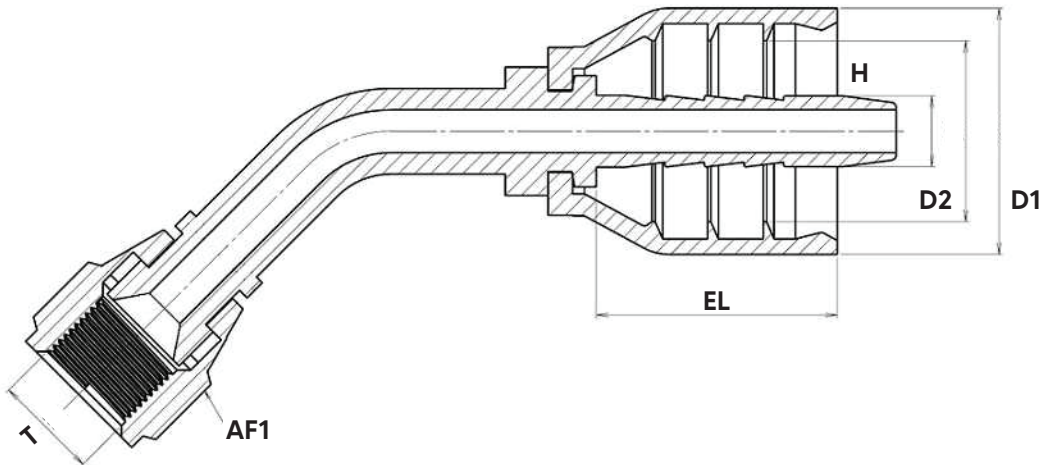
**Note:**

1. Additional sizes available on request.
2. This information is for guidance only, We reserve the right to alter or amend specifications as deemed necessary.
3. General tolerance is applicable.



ONE PIECE JIC 37° FEMALE SWIVEL 45° FITTINGS

**PF-43-FJ45-SS-ONE PIECE  
JIC 37° FEMALE SWIVEL  
(45° ELBOW)**



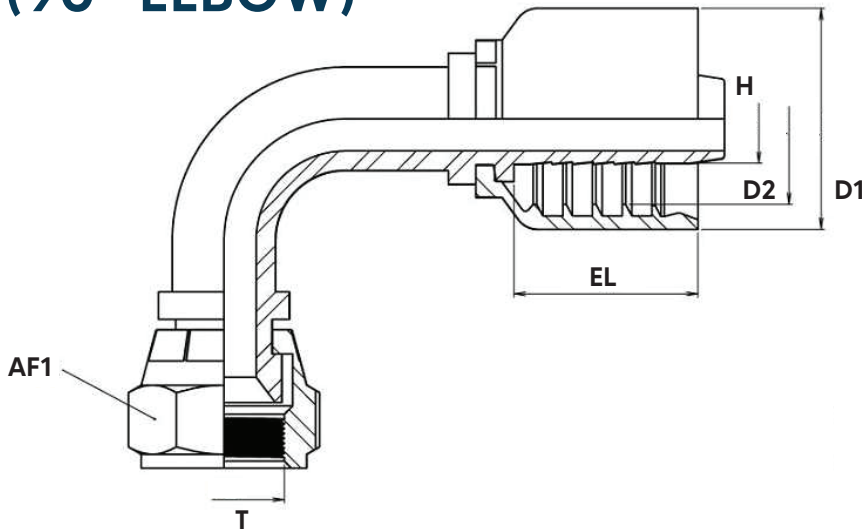
POLYFIT PART NO.	H	T	AF1	EL	D1	D2	PARKER PART NO.	DICSA PART NO.	OMEGA PART NO.
PF43-04-04-FJ45-SS	1/4"	7/16" -20h UNF	14	22.5	23	16.9	13743-04-04	881390704	H-43-FJX-45-04-04
PF43-04-06-FJ45-SS	1/4"	9/16" -18h UNF	19	22.5	23	16.9	13743-04-06	-	H-43-FJX-45-04-06
PF43-06-06-FJ45-SS	3/8"	9/16" -18h UNF	19	24.5	28	20.7	13743-06-06	881390906	H-43-FJX-45-06-06
PF43-06-08-FJ45-SS	3/8"	3/4" -16h UNF	24	24.5	28	20.7	13743-06-08	881391206	H-43-FJX-45-06-08
PF43-08-08-FJ45-SS	1/2"	3/4" -16h UNF	24	26.7	32	24.8	13743-08-08	881390208	H-43-FJX-45-08-08
PF43-08-10-FJ45-SS	1/2"	7/8" -14h UNF	27	26.7	32	24.8	13743-08-10	-	H-43-FJX-45-08-10
PF43-10-10-FJ45-SS	5/8"	7/8" -14h UNF	32	30.2	35	27.8	13743-10-10	-	H-43-FJX-45-10-10
PF43-12-12-FJ45-SS	3/4"	1.1/16" -12h UNF	32	35.5	40	32	13743-12-12	881391712	H-43-FJX-45-12-12
PF43-12-16-FJ45-SS	3/4"	1.5/16" -12h UNF	41	35.5	40	32	13743-12-16	-	H-43-FJX-45-12-16
PF43-16-16-FJ45-SS	1"	1.5/16" -12h UNF	41	42	47	39	13743-16-16	881392116	H-43-FJX-45-16-16

**Note:**

1. Additional sizes available on request.
2. This information is for guidance only, We reserve the right to alter or amend specifications as deemed necessary.
3. General tolerance is applicable.

## ONE PIECE JIC 37° FEMALE SWIVEL 90° FITTINGS

### PF-43-FJ90-SS-ONE PIECE JIC 37° FEMALE SWIVEL (90° ELBOW)



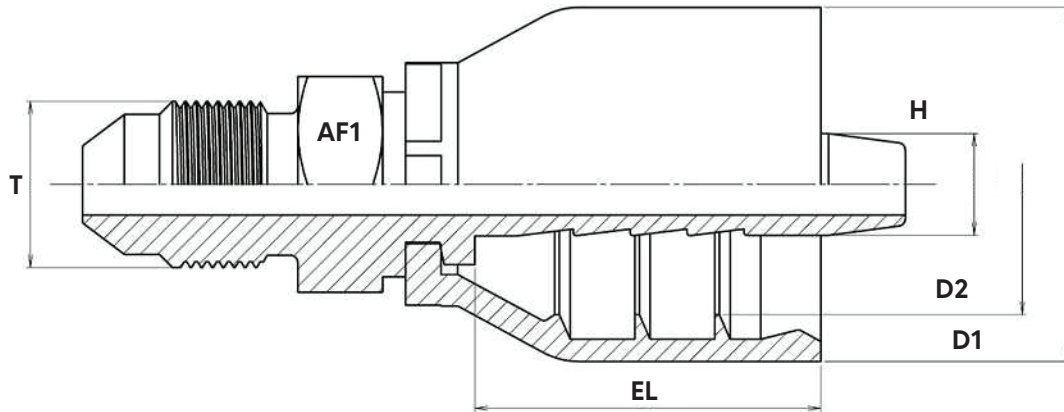
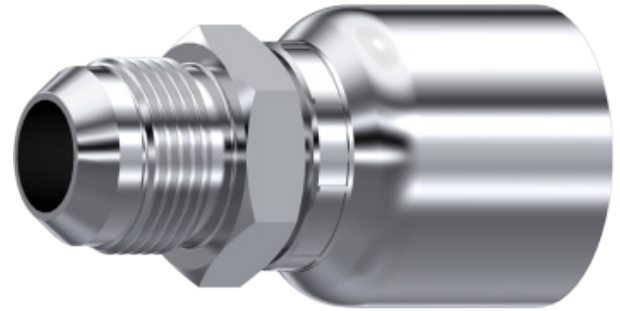
POLYFIT PART NO.	H	T	AF1	EL	D1	D2	PARKER PART NO.	DICSA PART NO.	OMEGA PART NO.
PF43-04-04-FJ90-SS	1/4"	7/16" -20h UNF	14	22.5	23	16.9	13943-04-04	881380704	H-43-FJX-90-04-04
PF43-04-06-FJ90-SS	1/4"	9/16" -18h UNF	19	22.5	23	16.9	13943-04-06	-	H-43-FJX-90-04-06
PF43-06-06-FJ90-SS	3/8"	9/16" -18h UNF	19	24.5	28	20.7	13943-06-06	881380906	H-43-FJX-90-06-06
PF43-06-08-FJ90-SS	3/8"	3/4" -16h UNF	24	24.5	28	20.7	13943-06-08	-	H-43-FJX-90-06-08
PF43-08-08-FJ90-SS	1/2"	3/4" -16h UNF	24	26.7	32	24.8	13943-08-08	881381208	H-43-FJX-90-08-08
PF43-08-10-FJ90-SS	1/2"	7/8" -14h UNF	27	26.7	32	24.8	13943-08-10	881381408	H-43-FJX-90-08-10
PF43-10-10-FJ90-SS	5/8"	7/8" -14h UNF	32	30.2	35	27.8	13943-10-10	881381410	H-43-FJX-90-10-10
PF43-12-12-FJ90-SS	3/4"	1.1/16" -12h UNF	32	35.5	40	32	13943-12-12	881381712	H-43-FJX-90-12-12
PF43-12-16-FJ90-SS	3/4"	1.5/16" -12h UNF	41	35.5	40	32	13943-12-16	-	H-43-FJX-90-12-16
PF43-16-16-FJ90-SS	1"	1.5/16" -12h UNF	41	42	47	39	13943-16-16	881382116	H-43-FJX-90-16-16

#### Note:

1. Additional sizes available on request.
2. This information is for guidance only, We reserve the right to alter or amend specifications as deemed necessary.
3. General tolerance is applicable.

ONE PIECE JIC 37° MALE STRAIGHT FITTINGS

# PF-43-MJ-SS-ONE PIECE JIC 37° MALE STRAIGHT FITTING



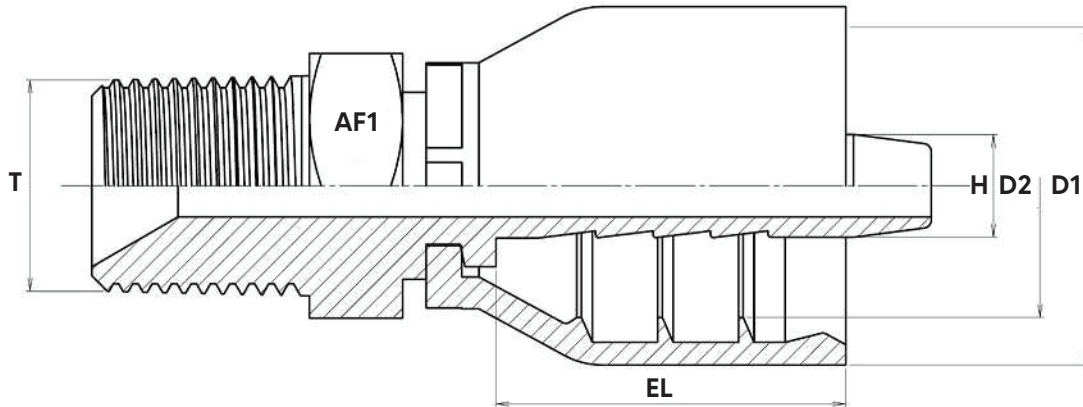
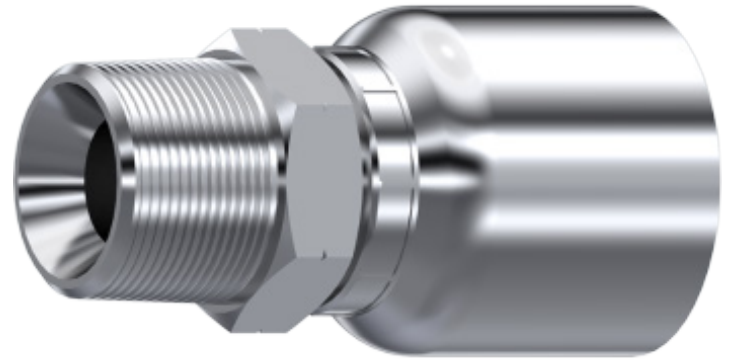
POLYFIT PART NO.	H	T	AF1	EL	D1	D2	PARKER PART NO.	DICSA PART NO.	OMEGA PART NO.
PF43-04-04-MJ-SS	1/4"	7/16" -20h UNF M	19	22.5	23	16.9	10343-04-04	881400704	H-43-MJ-04-04
PF43-06-06-MJ-SS	3/8"	9/16" -19h UNF M	22	24.5	28	20.7	10343-06-06	881400906	H-43-MJ-06-06
PF43-08-08-MJ-SS	1/2"	3/4" -16h UNF M	27	26.7	32	24.8	10343-08-08	881401208	H-43-MJ-08-08
PF43-10-10-MJ-SS	5/8"	7/8" -14h UNF M	32	30.2	35	27.8	10343-10-10	-	H-43-MJ-10-10
PF43-12-12-MJ-SS	3/4"	1.1/16" -12h UNF M	32	35.5	40	32	10343-12-12	881401712	H-43-MJ-12-12
PF43-16-16-MJ-SS	1"	1.5/16" -12h UNF M	41	42	47	39	10343-16-16	881402116	H-43-MJ-16-16

**Note:**

1. Additional sizes available on request.
2. This information is for guidance only, We reserve the right to alter or amend specifications as deemed necessary.
3. General tolerance is applicable.

## ONE PIECE NPT-NPSM FITTINGS

### PF-43-MP-SS-ONE PIECE NPT MALE STRAIGHT FITTING



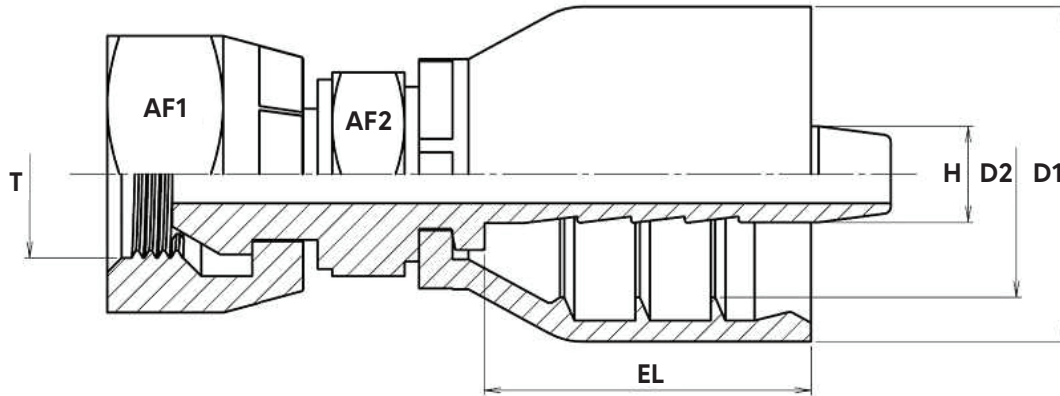
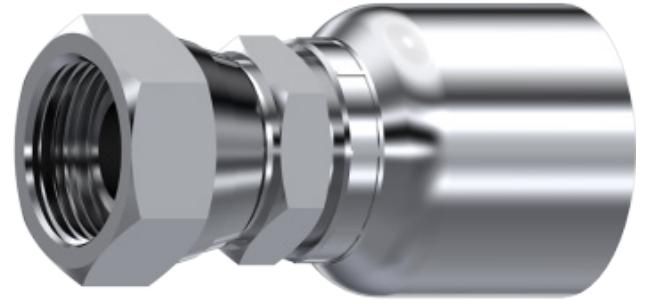
POLYFIT PART NO.	H	T	AF1	EL	D1	D2	PARKER PART NO.	DICSA PART NO.	OMEGA PART NO.
PF43-04-04-MP-SS	1/4"	1/4" -18h NPT M	17	22.5	23	16.9	10143-04-04	881610404	H-43-MP-04-04
PF43-04-06-MP-SS	1/4"	3/8" -18h NPT M	19	22.5	23	16.9	10143-04-06	881610604	H-43-MP-04-06
PF43-06-06-MP-SS	3/8"	3/8" -18h NPT M	19	24.5	28	20.7	10143-06-06	881610606	H-43-MP-06-06
PF43-06-08-MP-SS	3/8"	1/2" -14h NPT M	22	24.5	28	20.7	10143-06-08	881610806	H-43-MP-06-08
PF43-08-08-MP-SS	1/2"	1/2" -14h NPT M	27	26.7	32	24.8	10143-08-08	881610808	H-43-MP-08-08
PF43-10-08-MP-SS	5/8"	1/2" -14h NPT M	27	30.2	35	27.8	10143-10-08	881610810	H-43-MP-10-08
PF43-12-12-MP-SS	3/4"	3/4" -14h NPT M	32	35.5	40	32	10143-12-12	881611212	H-43-MP-12-12
PF43-12-16-MP-SS	3/4"	1" -11.5h NPT M	36	35.5	40	32	10143-12-16	881611612	H-43-MP-12-16
PF43-16-16-MP-SS	1"	1" -11.5h NPT M	36	42	47	39	10143-16-16	881611616	H-43-MP-16-16
PF43-16-12-MP-SS	1"	3/4" -14h NPT M	32	42	47	39	10143-16-12	881611216	H-43-MP-16-12

**Note:**

1. Additional sizes available on request.
2. This information is for guidance only, We reserve the right to alter or amend specifications as deemed necessary.
3. General tolerance is applicable.

**ONE PIECE NPT-NPSM FITTINGS**

**PF-43-FP-SS-ONE PIECE  
DOUBLE HEXAGONAL NPSM  
FEMALE SWIVEL STRAIGHT  
FITTING**



POLYFIT PART NO.	H	T	AF1	AF2	EL	D1	D2	PARKER PART NO.	DICSA PART NO.	OMEGA PART NO.
PF43-04-04-FP-SS	1/4"	1/4" -18h NPSM	19	14	22.5	23	16.9	10743-04-04	883610404	H-43-FPX-04-04
PF43-06-06-FP-SS	3/8"	3/8" -18h NPSM	22	17	24.5	28	20.7	10743-06-06	883610606	H-43-FPX-06-06
PF43-08-08-FP-SS	1/2"	1/2" -14h NPSM	27	19	26.7	32	24.8	10743-08-08	883610808	H-43-FPX-08-08
PF43-12-12-FP-SS	3/4"	3/4" -14h NPSM	32	27	35.5	40	32	10743-12-12	883611212	H-43-FPX-12-12
PF43-16-16-FP-SS	1"	1" -11.5h NPSM	41	32	42	47	39	10743-16-16	883611616	H-43-FPX-16-16

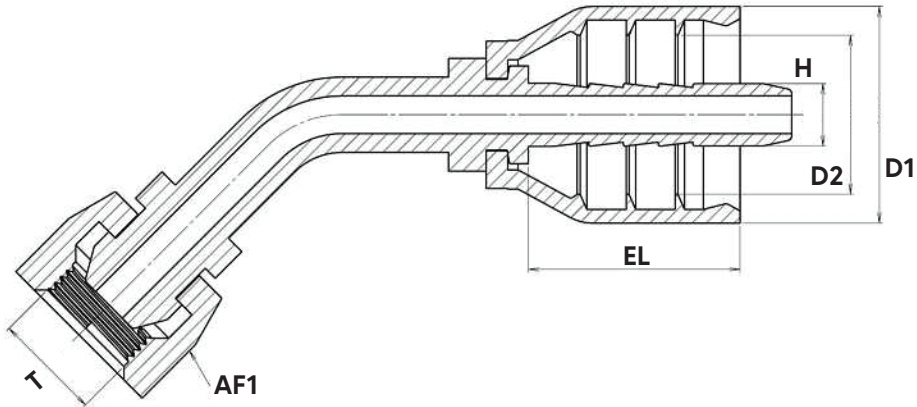
**Note:**

1. Additional sizes available on request.
2. This information is for guidance only, We reserve the right to alter or amend specifications as deemed necessary.
3. General tolerance is applicable.



## ONE PIECE NPT-NPSM FITTINGS

### PF-43-FP45-SS-ONE PIECE NPSM FEMALE SWIVEL 60° CONE (45° ELBOW) FITTING



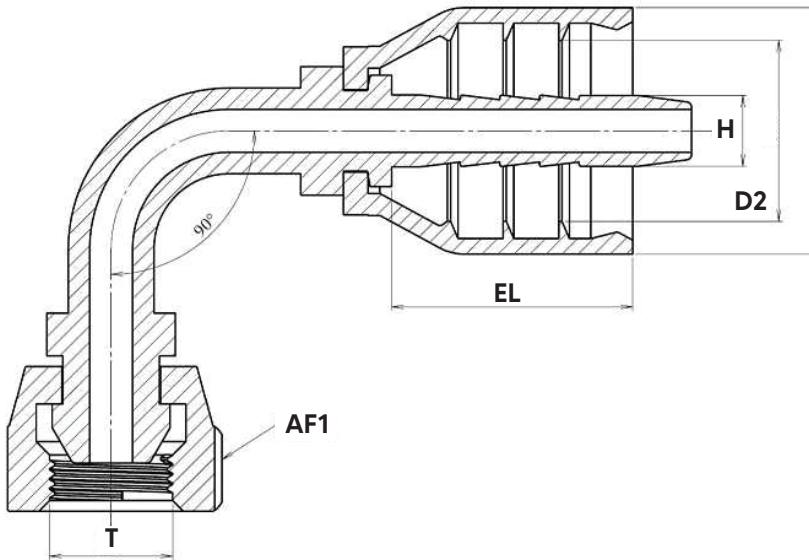
POLYFIT PART NO.	H	T	AF1	EL	D1	D2	PARKER PART NO.	DICSA PART NO.	OMEGA PART NO.
PF43-04-04-FP45-SS	1/4"	1/4" -18h NPSM	19	22.5	23	16.9	-	882630404	H-43-FPX-45-04-04
PF43-06-06-FP45-SS	3/8"	3/8" -18h NPSM	22	24.5	28	20.7	-	882630606	H-43-FPX-45-06-06
PF43-08-08-FP45-SS	1/2"	1/2" -14h NPSM	27	26.7	32	24.8	-	882630808	H-43-FPX-45-08-08
PF43-12-12-FP45-SS	3/4"	3/4" -14h NPSM	32	35.5	40	32	-	882631212	H-43-FPX-45-12-12
PF43-16-16-FP45-SS	1"	1" -11.5h NPSM	41	42	47	39	-	882631616	H-43-FPX-45-16-16

**Note:**

1. Additional sizes available on request.
2. This information is for guidance only, We reserve the right to alter or amend specifications as deemed necessary.
3. General tolerance is applicable.

**ONE PIECE NPT-NPSM FITTINGS**

**PF-43-FP90-SS-ONE PIECE NPSM FEMALE SWIVEL 60° CONE (90° ELBOW) FITTING**



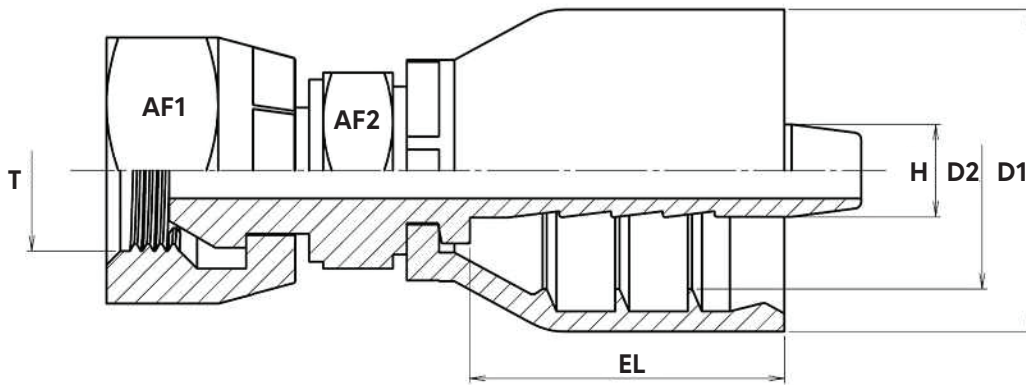
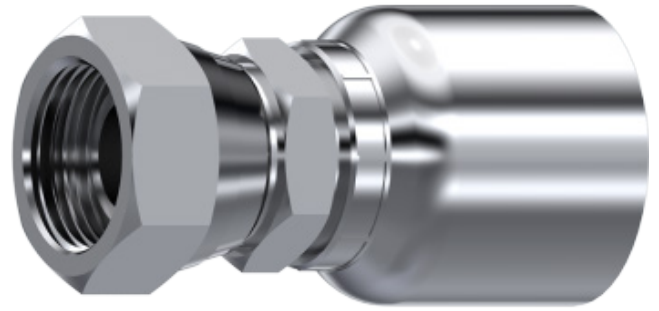
POLYFIT PART NO.	H	T	AF1	EL	D1	D2	PARKER PART NO.	DICSA PART NO.	OMEGA PART NO.
PF43-04-04-FP90-SS	1/4"	1/4" -18h NPSM	19	22.5	23	16.9	-	882620404	H-43-FPX-90-04-04
PF43-06-06-FP90-SS	3/8"	3/8" -18h NPSM	22	24.5	28	20.7	-	882620606	H-43-FPX-90-06-06
PF43-08-08-FP90-SS	1/2"	1/2" -14h NPSM	27	26.7	32	24.8	-	882620808	H-43-FPX-90-08-08
PF43-12-12-FP90-SS	3/4"	3/4" -14h NPSM	32	35.5	40	32	-	882621212	H-43-FPX-90-12-12
PF43-16-16-FP90-SS	1"	1" -11.5h NPSM	41	42	47	39	-	882621616	H-43-FPX-90-16-16

**Note:**

1. Additional sizes available on request.
2. This information is for guidance only, We reserve the right to alter or amend specifications as deemed necessary.
3. General tolerance is applicable.

## ONE PIECE BSP FITTINGS

# PF-43-FBSP-SS-ONE PIECE DOUBLE HEXAGONAL BSP FEMALE STRAIGHT 60° CONE FITTING



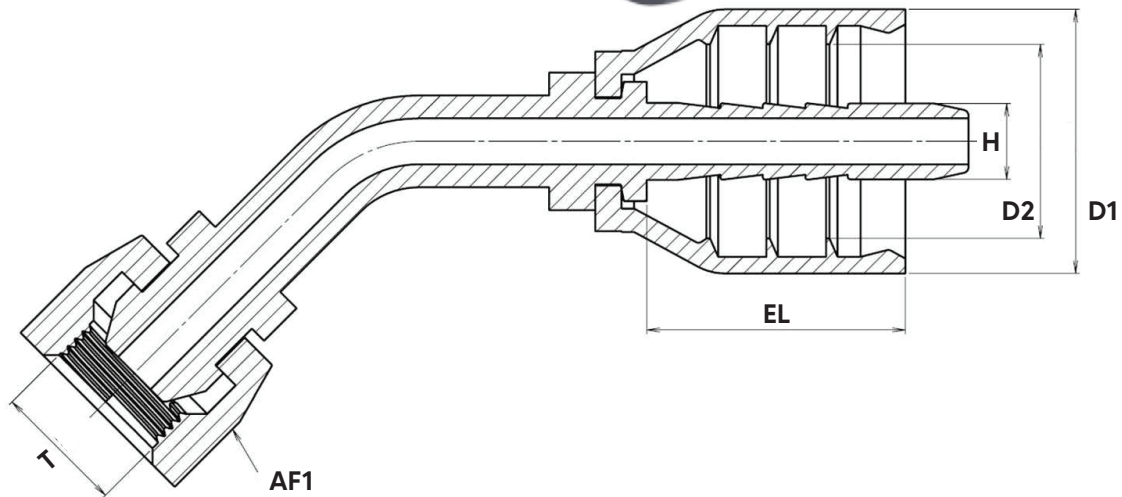
POLYFIT PART NO.	H	T	AF1	AF2	EL	D1	D2	PARKER PART NO.	DICSA PART NO.	OMEGA PART NO.
PF43-04-04-FBSP-SS	1/4"	1/4" -19h BSP	19	14	22.5	23	16.9	19243-04-04	884000404	H-43-FBSP-04-04
PF43-06-06-FBSP-SS	3/8"	3/8" -19h BSP	22	17	24.5	28	20.7	19243-06-06	884000606	H-43-FBSP-06-06
PF43-08-08-FBSP-SS	1/2"	1/2" -14h BSP	27	19	26.7	32	24.8	19243-08-08	884000808	H-43-FBSP-08-08
PF43-12-12-FBSP-SS	3/4"	3/4" -14h BSP	32	27	35.5	40	32	19243-12-12	884001212	H-43-FBSP-12-12
PF43-16-16-FBSP-SS	1"	1" -11h BSP	41	32	42	47	39	19243-16-16	884001616	H-43-FBSP-16-16

**Note:**

1. Additional sizes available on request.
2. This information is for guidance only, We reserve the right to alter or amend specifications as deemed necessary.
3. General tolerance is applicable.

**ONE PIECE BSP FITTINGS**

**PF-43-FBSP45-SS-ONE PIECE  
BSP FEMALE 60° CONE  
(45° ELBOW) FITTING**



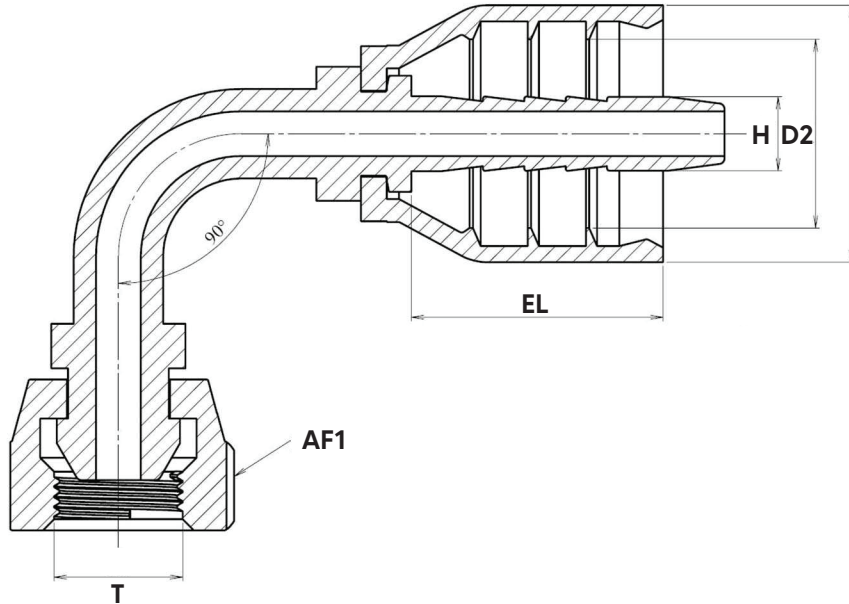
POLYFIT PART NO.	H	T	AF1	EL	D1	D2	PARKER PART NO.	DICSA PART NO.	OMEGA PART NO.
PF43-04-04-FBSP45-SS	1/4"	1/4" -19h BSP	19	22.5	23	16.9	1B143-04-04	881080404	H-43-FBSP-45-04-04
PF43-06-06-FBSP45-SS	3/8"	3/8" -19h BSP	22	24.5	28	20.7	1B143-06-06	881080606	H-43-FBSP-45-06-06
PF43-08-08-FBSP45-SS	1/2"	1/2" -14h BSP	27	26.7	32	24.8	1B143-08-08	881080808	H-43-FBSP-45-08-08
PF43-12-12-FBSP45-SS	3/4"	3/4" -14h BSP	32	35.5	40	32	1B143-12-12	881081212	H-43-FBSP-45-12-12
PF43-16-16-FBSP45-SS	1"	1" -11h BSP	41	42	47	39	1B143-16-16	881081616	H-43-FBSP-45-16-16

**Note:**

1. Additional sizes available on request.
2. This information is for guidance only, We reserve the right to alter or amend specifications as deemed necessary.
3. General tolerance is applicable.

## ONE PIECE BSP FITTINGS

### PF-43-FBSP90-SS-ONE PIECE BSP FEMALE 60° CONE (90° ELBOW) FITTING



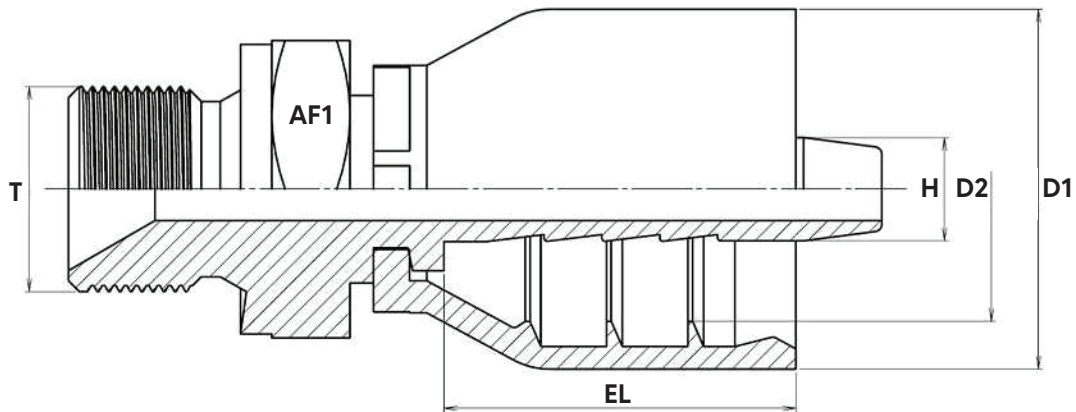
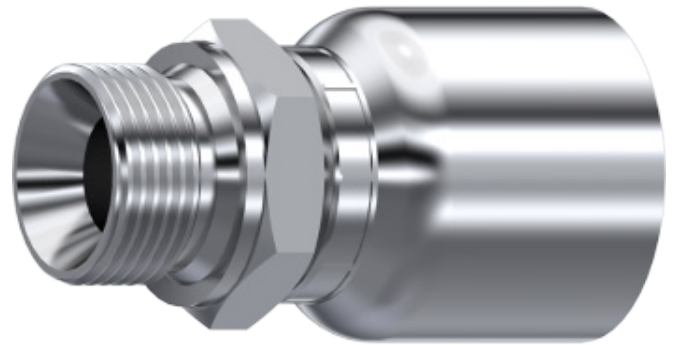
POLYFIT PART NO.	H	T	AF1	EL	D1	D2	PARKER PART NO.	DICSA PART NO.	OMEGA PART NO.
PF43-04-04-FBSP90-SS	1/4"	1/4" -19h BSP	19	22.5	23	16.9	1B253-04-04	881070404	H-43-FBSP-90-04-04
PF43-06-06-FBSP90-SS	3/8"	3/8" -19h BSP	22	24.5	28	20.7	1B253-06-06	881070606	H-43-FBSP-90-06-06
PF43-08-08-FBSP90-SS	1/2"	1/2" -14h BSP	27	26.7	32	24.8	1B253-08-08	881070808	H-43-FBSP-90-08-08
PF43-12-12-FBSP90-SS	3/4"	3/4" -14h BSP	32	35.5	40	32	1B253-12-12	881071212	H-43-FBSP-90-12-12
PF43-16-16-FBSP90-SS	1"	1" -11h BSP	41	42	47	39	1B253-16-16	881071616	H-43-FBSP-90-16-16

**Note:**

1. Additional sizes available on request.
2. This information is for guidance only, We reserve the right to alter or amend specifications as deemed necessary.
3. General tolerance is applicable.

**ONE PIECE BSP FITTINGS**

**PF-43-MBSP-SS-ONE PIECE  
BSP MALE 60° CONE FITTING**



POLYFIT PART NO.	H	T	AF1	EL	D1	D2	PARKER PART NO.	DICSA PART NO.	OMEGA PART NO.
PF43-04-04-MBSP-SS	1/4"	1/4" -19h BSP	19	22.5	23	16.9	1D943-04-04	881120404	H-43-MBSP-04-04
PF43-06-06-MBSP-SS	3/8"	3/8" -19h BSP	22	24.5	28	20.7	1D943-06-06	881120606	H-43-MBSP-06-06
PF43-08-08-MBSP-SS	1/2"	1/2" -14h BSP	27	26.7	32	24.8	1D943-08-08	881120808	H-43-MBSP-08-08
PF43-12-012-MBSP-SS	3/4"	3/4" -14h BSP	32	35.5	40	32	1D943-12-12	881121212	H-43-MBSP-12-12
PF43-16-16-MBSP-SS	1"	1" -11h BSP	41	42	47	39	1D943-16-16	881121616	H-43-MBSP-16-16

**Note:**

1. Additional sizes available on request.
2. This information is for guidance only, We reserve the right to alter or amend specifications as deemed necessary.
3. General tolerance is applicable.



# CRIMPING CHART - PF/43CRIMPDIA/03-17/04/2024

SL. NO.	POLYFIT PART NO.	HOSE TYPE	HOSE DASH SIZE	HOSE ID	HOSE OD		CRIMP DIA	
				INCH	INCH	METRIC	INCH	METRIC
1	PF43-R1-04	SAE 100 R1	-4	1/4"	0.54	13.6	0.66	16.7
2	PF43-R1-05	SAE 100 R1	-5	5/16"	0.59	15.0	0.73	18.5
3	PF43-R1-06	SAE 100 R1	-6	3/8"	0.69	17.4	0.86	21.9
4	PF43-R1-08	SAE 100 R1	-8	1/2"	0.80	20.4	0.96	24.4
5	PF43-R1-10	SAE 100 R1	-10	5/8"	0.93	23.5	1.08	27.5
6	PF43-R1-12	SAE 100 R1	-12	3/4"	1.11	28.2	1.28	32.6
7	PF43-R1-16	SAE 100 R1	-16	1"	1.43	36.3	1.57	39.8
8	PF43-R2-04	SAE 100 R2	-4	1/4"	0.58	14.8	0.71	18.0
9	PF43-R2-05	SAE 100 R2	-5	5/16"	0.63	16.0	0.77	19.5
10	PF43-R2-06	SAE 100 R2	-6	3/8"	0.74	18.8	0.90	22.8
11	PF43-R2-08	SAE 100 R2	-8	1/2"	0.88	22.3	1.03	26.2
12	PF43-R2-10	SAE 100 R2	-10	5/8"	1.00	25.5	1.16	29.5
13	PF43-R2-12	SAE 100 R2	-12	3/4"	1.15	29.3	1.33	33.7
14	PF43-R2-16	SAE 100 R2	-16	1"	1.48	37.5	1.63	41.3
15	PF43-R16(2SC)-04	SAE 100 R16-2SC	-4	1/4"	0.53	13.4	0.67	17.0
16	PF43-R16(2SC)-05	SAE 100 R16-2SC	-5	5/16"	0.59	15.0	0.73	18.5
17	PF43-R16(2SC)-06	SAE 100 R16-2SC	-6	3/8"	0.69	17.5	0.86	21.9
18	PF43-R16(2SC)-08	SAE 100 R16-2SC	-8	1/2"	0.81	20.5	0.98	24.9
19	PF43-R16(2SC)-10	SAE 100 R16-2SC	-10	5/8"	0.96	24.5	1.12	28.5
20	PF43-R16(2SC)-12	SAE 100 R16-2SC	-12	3/4"	1.12	28.4	1.29	32.7
21	PF43-R16(2SC)-16	SAE 100 R16-2SC	-16	1"	1.43	36.2	1.57	40.0
22	PF43-R17-04	SAE 100 R17	-4	1/4"	0.51	13.0	0.67	17.0
23	PF43-R17-05	SAE 100 R17	-5	5/16"	0.57	14.5	0.71	18.0
24	PF43-R17-06	SAE 100 R17	-6	3/8"	0.65	16.5	0.83	21.0
25	PF43-R17-08	SAE 100 R17	-8	1/2"	0.81	20.6	0.96	24.5
26	PF43-R17-10	SAE 100 R17	-10	5/8"	0.93	23.5	1.08	27.5
27	PF43-R17-12	SAE 100 R17	-12	3/4"	1.16	29.4	1.31	33.2
28	PF43-R17-16	SAE 100 R17	-16	1"	1.48	37.5	1.61	41.0

**Note:**

1. Given crimp diameters are based on the above hose OD.
2. If the hose OD changed, Please correct with reference to the validated chart as shown above.

**MACDONALD TYPE QUICK ACTION COUPLING**



The Macdonald quick action couplings are designed for high pressure compressed air or inert gas. It also used with Pneumatic Tools and for Fire Hose reel service where safety is a prime concern.

**APPLICATIONS:**

Used on compressed Air, Nitrogen and low pressure steam lines in oil refineries, chemical and industrial plants to ensure maximum safety of operation.

**WORKING PRESSURES:**

Maximum safe working pressure for hose ends depends on hose specification and type of hose clamps used-up to 50 Bar (725 psi) is common.

**MALE COUPLER TO HOSE END**



**FEMALE COUPLER TO HOSE END**

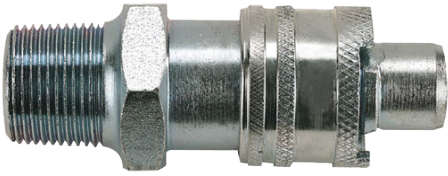


Part Number	Hose Size	Material
PFMCH-06	3/8"	Steel
PFMCH-08	1/2"	Steel
PFMCH-12	3/4"	Steel
PFMCH-16	1"	Steel

Part Number	Hose Size	Material
PFFCH-06	3/8"	Steel
PFFCH-08	1/2"	Steel
PFFCH-12	3/4"	Steel
PFFCH-16	1"t	Steel

**Note:** Other diameters, pressure rating is available on request. Technical data, structures and polymers are subject to change without notice.

## MALE COUPLER TO MALE THREAD



Part Number	Hose Size	Material
PFMCM-06	3/8"	Steel
PFMCM-08	1/2"	Steel
PFMCM-12	3/4"	Steel
PFMCM-16	1"	Steel

## FEMALE COUPLER TO MALE THREAD



Part Number	Hose Size	Material
PFFCM-06	3/8"	Steel
PFFCM-08	1/2"	Steel
PFFCM-12	3/4"	Steel
PFFCM-16	1"	Steel

## MALE COUPLER TO FEMALE THREAD



Part Number	Hose Size	Material
PFFCF-06	3/8"	Steel
PFFCF-08	1/2"	Steel
PFFCF-12	3/4"	Steel
PFFCF-16	1"	Steel

## FEMALE COUPLER TO FEMALE THREAD



Part Number	Hose Size	Material
PFFCF-06	3/8"	Steel
PFFCF-08	1/2"	Steel
PFFCF-12	3/4"	Steel
PFFCF-16	1"	Steel

## DOUBLE LOCK TYPE QUICK ACTION COUPLING

### APPLICATIONS:

Used on utility air, water, and nitrogen lines.

### WORKING PRESSURES:

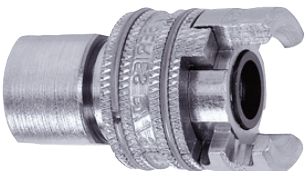
Depend on hose specification, type of hose clamp and ends used-up to 300 psi is common.

## DOUBLE LOCK MALE PIPE ADAPTOR



Part Number	Hose Size	Material
PFDLM-06	1/2"	Steel
PFDLM-08	3/8"	Steel
PFDLM-12	3/4"	Steel
PFDLM-16	1"	Steel

## DOUBLE-LOCK FEMALE PIPE ADAPTER



Part Number	Hose Size	Material
PFDLF-06	1/2"	Steel
PFDLF-08	3/8"	Steel
PFDLF-12	3/4"	Steel
PFDLF-16	1"	Steel

## DOUBLE -LOCK HOSE END



Part Number	Hose Size	Material
PFDLH-06	1/2"	Steel
PFDLH-08	3/8"	Steel
PFDLH-12	3/4"	Steel
PFDLH-16	1"	Steel

**Note:** Other diameters, pressure rating is available on request. Technical data, structures and polymers are subject to change without notice.

## BOSS STEAM HOSE FITTINGS

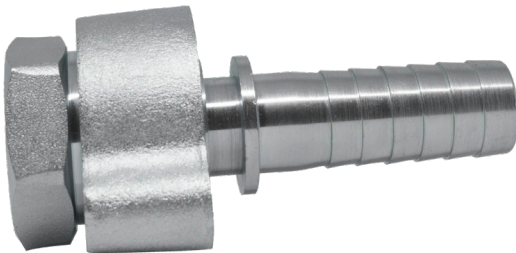
### SPECIFICATIONS

#### HEAVY DUTY 4 BOLT CLAMPS



Part Number	Description
PFIC-13	1/2" Interlock clamp with bolts
PFIC-20	3/4" Interlock clamp with bolts
PFIC-25	1" Interlock clamp with bolts
PFIC-32	1.1/4" Interlock clamp with bolts
PFIC-38	1.1/2" Interlock clamp with bolts
PFIC-50	2" Interlock clamp with bolts

#### BOSS COUPLING – FEMALE:



Part Number	Description
PFBC-13	1/2" Boss Clamp
PFBC-20	3/4" Boss Clamp
PFBC-25	1" Boss Clamp
PFBC-32	1.1/4" Boss Clamp
PFBC-38	1.1/2" Boss Clamp
PFBC-50	2" Boss Clamp

#### BOSS COUPLING – MALE:



Part Number	Description
PFML-13	1/2" Male stem NPT Thread to suit Boss clamp
PFML-20	3/4" Male stem NPT Thread to suit Boss clamp
PFML-25	1" Male stem NPT Thread to suit Boss clamp
PFML-32	1.1/4" Male stem NPT Thread to suit Boss clamp
PFML-38	1.1/2" Male stem NPT Thread to suit Boss clamp
PFML-50	2" Male stem NPT Thread to suit Boss clamp

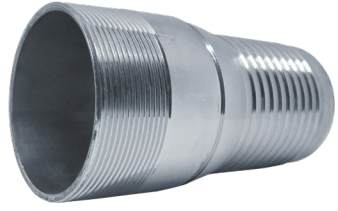
This fitting suitable for EPDM Rubber Hose Steam application.

**Note:** Other diameters, pressure rating is available on request. Technical data, structures and polymers are subject to change without notice.




## INDUSTRIAL & COMPOSITE HOSE FITTINGS

### STEEL PLATED HEAVY-DUTY NPT MALE FITTINGS

Part Number	Size		Description	Picture
	Inch	mm		
PFMN-050	2	51	NPT (M) Industrial Hose Fitting	
PFMN-065	2.1/2	63	NPT (M) Industrial Hose Fitting	
PFMN-075	3	76	NPT (M) Industrial Hose Fitting	
PFMN-100	4	102	NPT (M) Industrial Hose Fitting	
PFMN-125	5	127	NPT (M) Industrial Hose Fitting	
PFMN-150	6	152	NPT (M) Industrial Hose Fitting	
PFMN-200	8	203	NPT (M) Industrial Hose Fitting	


### STEEL PLATED HEAVY-DUTY FLANGE TYPE FITTINGS WITHOUT THREAD

Part Number	Size		Description	Picture
	Inch	mm		
PFIF-050	2	51	Industrial Hose Fitting (Flange Type)	
PFIF-065	2.1/2	63	Industrial Hose Fitting (Flange Type)	
PFIF-075	3	76	Industrial Hose Fitting (Flange Type)	
PFIF-100	4	102	Industrial Hose Fitting (Flange Type)	
PFIF-125	5	127	Industrial Hose Fitting (Flange Type)	
PFIF-150	6	152	Industrial Hose Fitting (Flange Type)	
PFIF-200	8	203	Industrial Hose Fitting (Flange Type)	

### STEEL PLATED HEAVY-DUTY RAISED FACE FLANGE TYPE FITTINGS

Part Number	Size		Description	Picture
	Inch	mm		
PFIF-050RF	2	51	Industrial Hose Fitting Raise face Flared	
PFIF-064RF	2.1/2	63	Industrial Hose Fitting Raise face Flared	
PFIF-075RF	3	76	Industrial Hose Fitting Raise face Flared	
PFIF-100RF	4	102	Industrial Hose Fitting Raise face Flared	
PFIF-150RF	5	127	Industrial Hose Fitting Raise face Flared	
PFIF-200RF	6	152	Industrial Hose Fitting Raise face Flared	
PFIF-250RF	8	203	Industrial Hose Fitting Raise face Flared	

### STEEL PLATED HEAVY-DUTY INDUSTRIAL HOSE FERRULE

Part Number	Size		Ferrule ID	Description	Picture
	Inch	mm	mm		
PFIH-050	2	51	60	Industrial Hose Ferrule	
PFIH-065	2.1/2	63	80	Industrial Hose Ferrule	
PFIH-075	3	76	95	Industrial Hose Ferrule	
PFIH-100	4	102	121	Industrial Hose Ferrule	
PFIH-125	5	127	150	Industrial Hose Ferrule	
PFIH-150	6	152	182	Industrial Hose Ferrule	
PFIH-200	8	203	232	Industrial Hose Ferrule	

#### SPECIAL NOTE:

- ▶ For above ferrules and fittings available in MS and SS316
- ▶ Minimum order quantity 30 pcs from 5" to 6"
- ▶ Minimum order quantity 50 pcs from 2" to 4"
- ▶ Minimum order quantity 10 pcs for 8"

**Note:** Other diameters, pressure rating is available on request. Technical data, structures and polymers are subject to change without notice.

**SAFETY WHIP CHECK CABLE**



**MATERIAL**

- ▶ Carbon steel wire and spring with aluminium ferrule & slides for hose to hose.
- ▶ Stainless steel wire and spring with brass ferrule & slides for hose to hose.

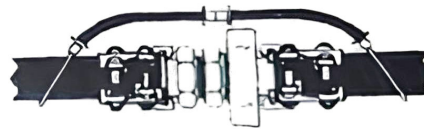
Part Number	Hose ID	Cable Size	Length	Working Pressure	Hose to Hose	Hose to Tool
PFWC-03-20	1/2" ~ 1 1/4"	1/8"	20-1/4"	200 PSI	V	V
PFWC-03-12	1/2" ~ 1 1/4"	1/8"	12"	200 PSI	V	V
PFWC-05-28	1/2" ~ 2"	3/16"	28"	200 PSI	V	V
PFWC-06-36	1 1/2" ~ 3"	1/4"	36"	200 PSI	V	V
PFWC-06-38	1 1/2" ~ 3"	1/4"	38"	200 PSI	V	V
PFWC-08-44	4"	3/8"	44"	200 PSI	V	V

\*Different cable lengths are available by request

\*Cables are shipped with safety restraint labels.



Incorrect Method - Excess Slack



Correct Method - No Slack

**TEST REPORTS**

Size	Tensile Strength (N)
1/8"	6760
3/16"	15500
1/4"	22500
3/8"	35000

**APPLICATION**

Simply pull back the spring and slip the loops on the whip check over each hose before connection to provide security against hose whip, Coal mining, Petrochemical & Compressed air

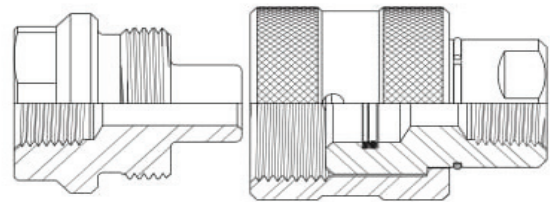
**Note:** Other diameters, pressure rating is available on request. Technical data, structures and polymers are subject to change without notice.





### APPLICATION

Polyfit offers a wide variety of fittings with various connection types to fit your 15,0000 psi application needs. The standard connection types NPT, HF, HHP, Type M, MP and BSPP are available in standard thread sizes. A benefit that polyfit brings to the fitting's realm is the ability to offer a wide variety of connections for any application. Easy, hand -tight connection of hoses and other components stainless steel.



Male

Female

### TECHNICAL SPECIFICATIONS

Part Number	Size	Connection Type	Max. Operating Pressure	
			PSI	BAR
PFWB916S-06	3/8	3/8" NPT Female	15000	1034
PFWB916S-08	1/2	1/2" NPT Female	15000	1034
PFWB916S-12	3/4	3/4" NPT Female	15000	1034

**Note:** Other diameters, pressure rating is available on request. Technical data, structures and polymers are subject to change without notice.

## AIR BREATHING QRC

Polyhose LP Air Breathing QRC is specially designed for H2S safety breathing air and cascade systems. 100% tested and greasing according to breathing air regulation.

There is also a re-usable coupling and nipple available. The re-usable fittings means that you can adjust the hose length exactly to suit your configuration and then refit the end. In case of a broken hose, you can shorten the hose and then refit the re-usable fittings.

Nominal flow diameter	: 5.3 mm (0.2")
Material coupling	: Stainless Steel 316
Air flow	: 700 l/min (24.7 CFM)
Material nipple	: Stainless Steel 316
Max. working pressure	: 35 bar (507 PSI)
Material seal	: NBR (Nitrile)
Min. burst pressure	: 140 bar (2030 PSI)
Interchangeable with	: CEJN 340 series, Foster 3003

### TYPE OF QRC

PRODUCT	PART NO.	TYPE
	PF1901S-04-04PH	1/4" REUSABLE QRC PLUG WITH HOSE TAIL
	PF1901S-04-04SH	1/4" REUSABLE QRC SOCKET WITH HOSE TAIL
	PF1902S-04-04PF	1/4" AIR BREATHING QRC PLUG WITH FEMALE THREAD
	PF1902S-04-04SF	1/4" AIR BREATHING QRC SOCKET WITH FEMALE THREAD
	PF1903S-04-04PM	1/4" AIR BREATHING PLUG WITH MALE THREAD
	PF1903S-04-04SM	1/4" AIR BREATHING QRC SOCKET WITH MALE THREAD

### ACCESSORIES



**Note:** Other diameters, pressure rating is available on request. Technical data, structures are subject to change without notice.

## HOSE DIVISION PRODUCTS



Water Blast Hose



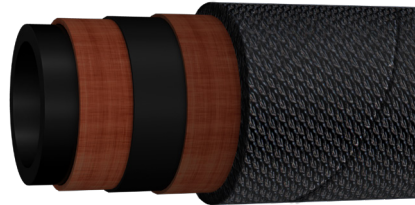
High Pressure Spiral Hose



Rubber Hydraulic Hose



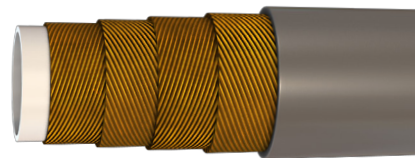
Ac Hose



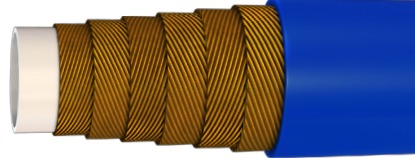
Rubber Discharge Hose



General Purpose Hose



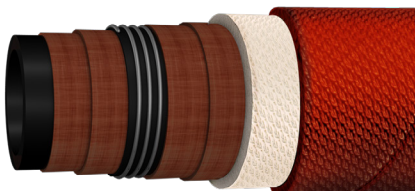
UHP 4 - Spiral



UHP 6 - Spiral



UHP 8 - Spiral

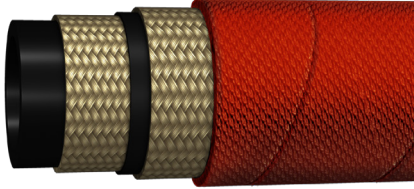


Fire Shield Hose BOP 5KPSI

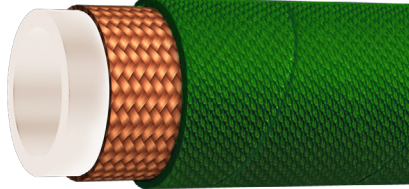


Super Service Hose

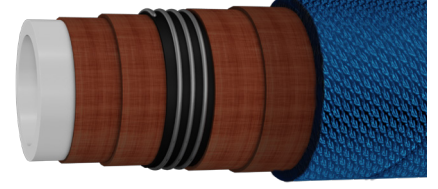
**HOSE DIVISION PRODUCTS**



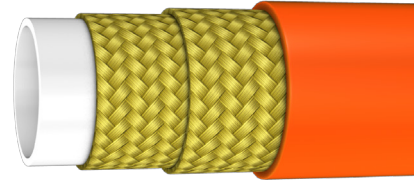
Steam Hose



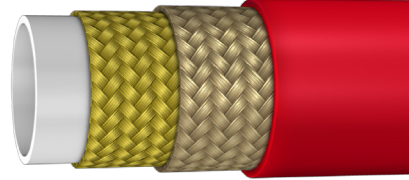
Carbon Free Hose



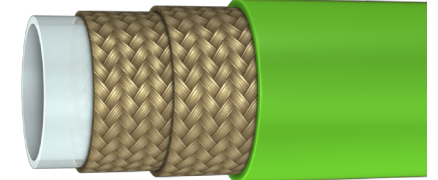
UHMW Chemical Hose



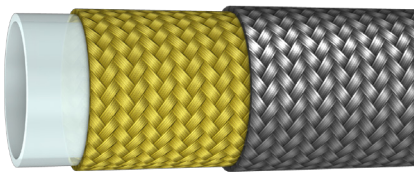
Non Conductive Hose



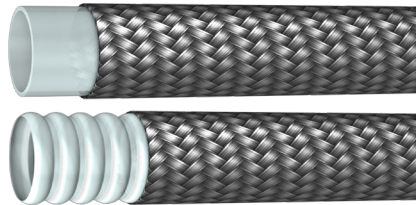
Jack Hose



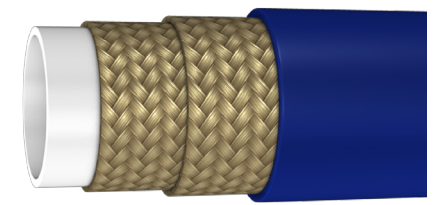
Sewer Jet Hose



PTFE Gas Teflon Hose



PTFE Hose Range



Paint Spray Hose



Fire Hose Type 1



Fire Hose Type 2



## HOSE DIVISION PRODUCTS



PVC Layflat



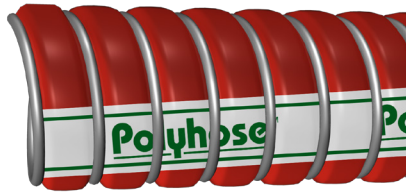
PVC Light Duty



Steel Metallic Hose



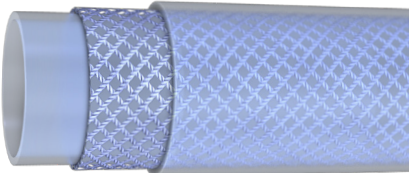
Oil Composite Hose



Chemical Composite Hose



LPG Composite Hose



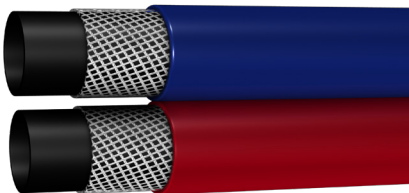
PVC Reinforced Hose



PVC Steel Wire Hose



PVC Clear Hose



Welding Hose



Air Hose

**HOSE DIVISION PRODUCTS**



Nylon Sleeve



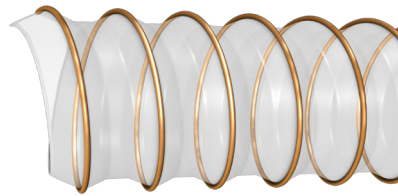
Binding Spiral Guard



Fire Sleeve Hose



Instantaneous Coupling



PU Ventilation Hose



Silicon Ventilation Hose



# Polyfit



## POLYFIT INDUSTRIES LLC

📍 Address: Shed 10, Plot 918, Umm Al Thoub, Umm Al Quwain, UAE.

🌐 Website: [www.polyfit.ae](http://www.polyfit.ae)

☎ Tel: +971 6 779 1117

✉ E-Mail: [info@polyfit.ae](mailto:info@polyfit.ae) | [sales@polyfit.ae](mailto:sales@polyfit.ae)